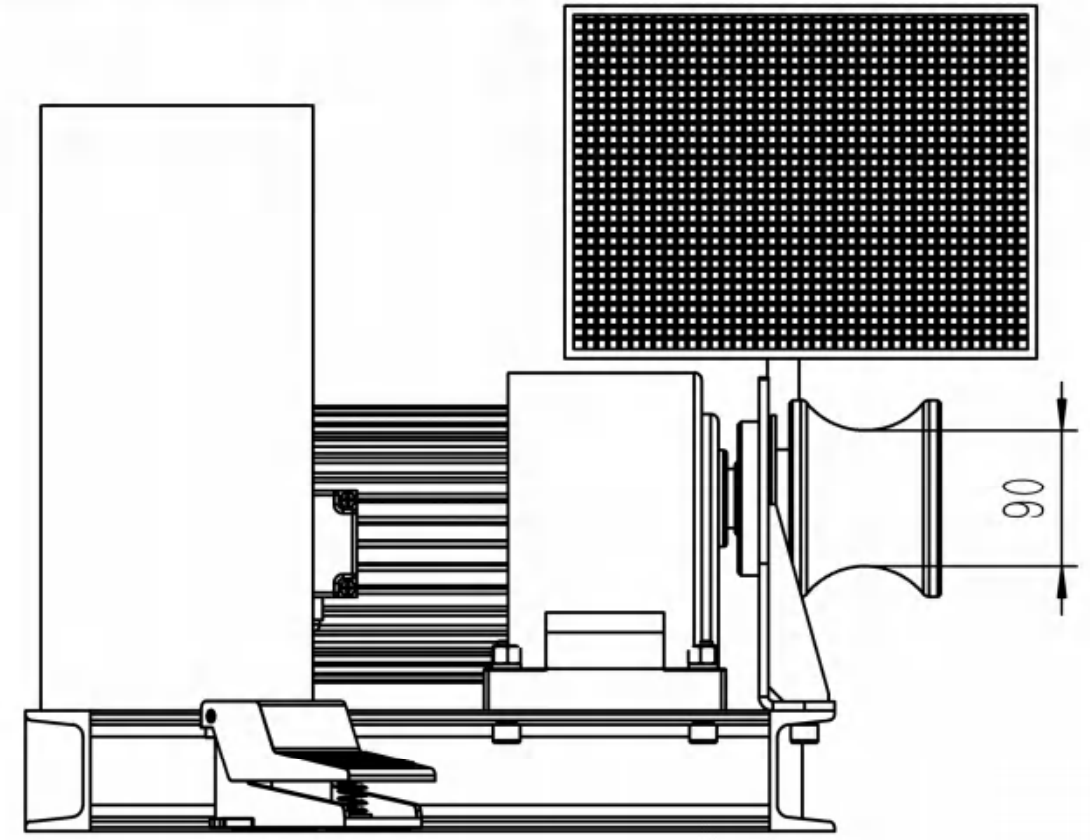
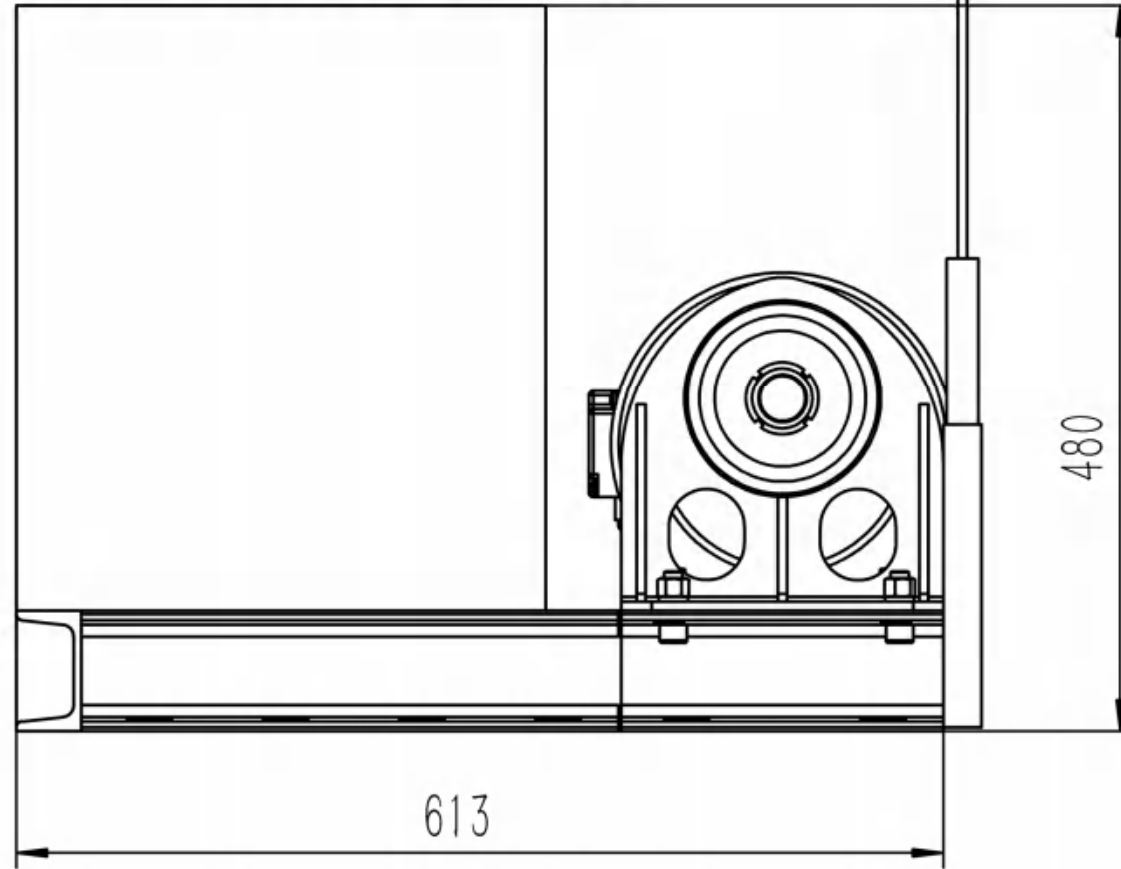
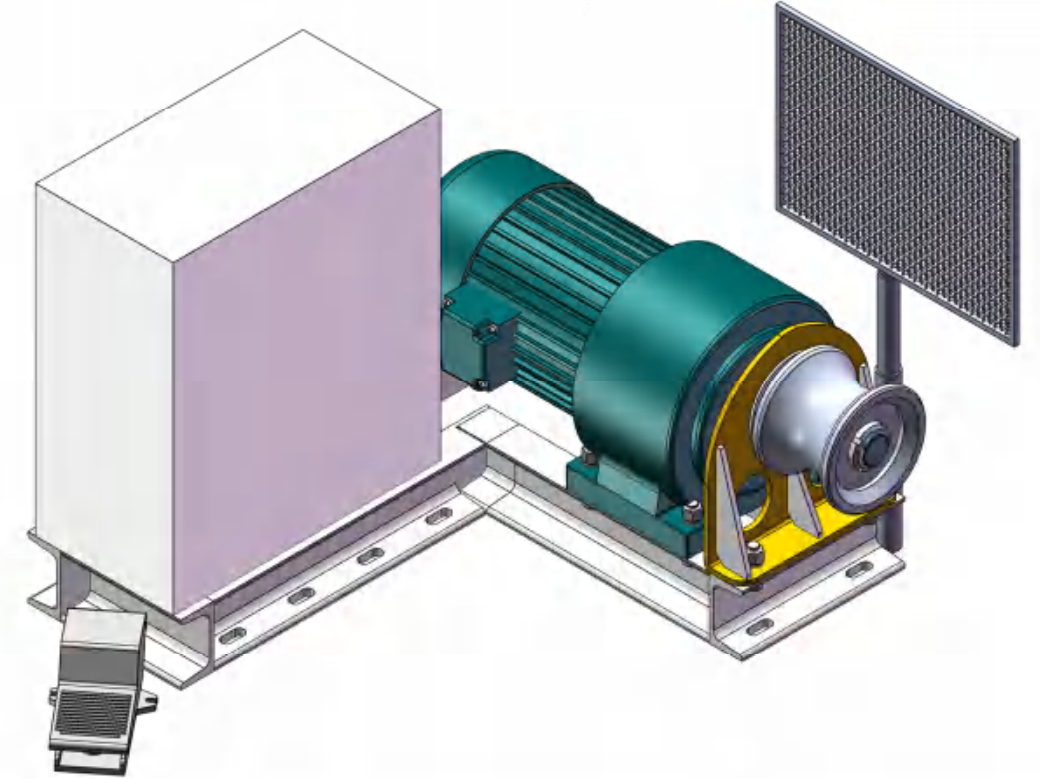
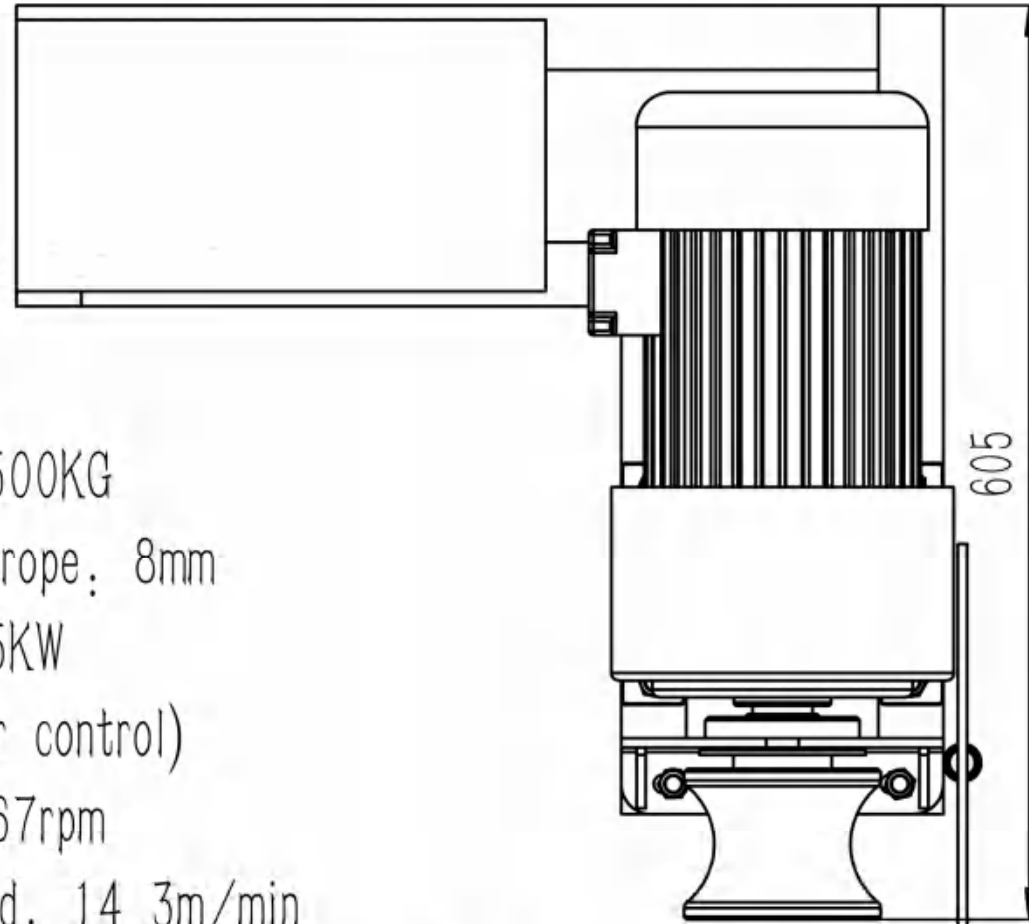
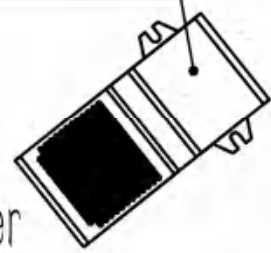


PJD-700

For reference only



Foot control switch



parameter

1. Rated tension: 1500KG
2. Diameter of wire rope: 8mm
3. Motor power: 1.5KW  
(frequency converter control)
4. Drum speed: 46.67rpm
5. Average rope speed: 14.3m/min
6. Quality of the whole machine: about 75KG (theoretical quality)
7. Input power supply: Single voltage 220V

Mark	Nos	Section	Document NO.	Signature	Date	Design mark	Weight	Scale	Cable winch PJD-700 Substitute:
Design			Standard					1:5	
Check			Draft						
Supervisor Design			Audit						
			Authorize			Total: 1	Page: 1	Version:	