

D2 Series VFD Chain Hoist With Handix

Product Features

- ◆ The system has soft limit, reducing the risk of collision and providing flexible working range.
- ◆ Handle design adopts ergonomic, so it is comfortable. Equipped with double-side control paddles. It can easily be controlled by one hand. And both hands can switch freely.
- ◆ Stepless speed change enable millimeter level movement. Not only can achieve precise position, but also have smooth operation. Fully utilize the fast, accurate and stable characteristics of smart hoist. Suitable for various workstation. Not only reduce labor intensity but also achieve smart assembly. At the same time, it can ensure working efficiency.

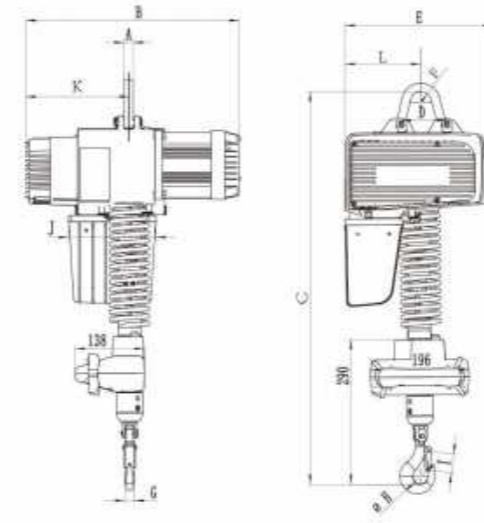


Product Specifications and Dimensions

Item	Model	D2B012-F	D2B025-F	D2B050-F
Maximum load(Kg)		125	250	500
Lifting speed - dual speed (m/min)		1/12	1/12	1/8
Rated power(KW)		0.75	0.75	1.1
Default itinerary(m)		2.8(customizable)		
Control mode		F3 variable frequency dual speed/ F2 stepless speed change Handle		
Self Weight(Kg)		25	25	31
Chain specifications (mm)		5.0	5.0	5.0
Voltage		standard 380V(optional 220V)		
Working level of the organization		3m/M6	3m/M6	3m/M6
Working temperature(°C)		-10°C~55°C		

Note: The above data is for selection reference only, and the actual data based on the product nameplate.

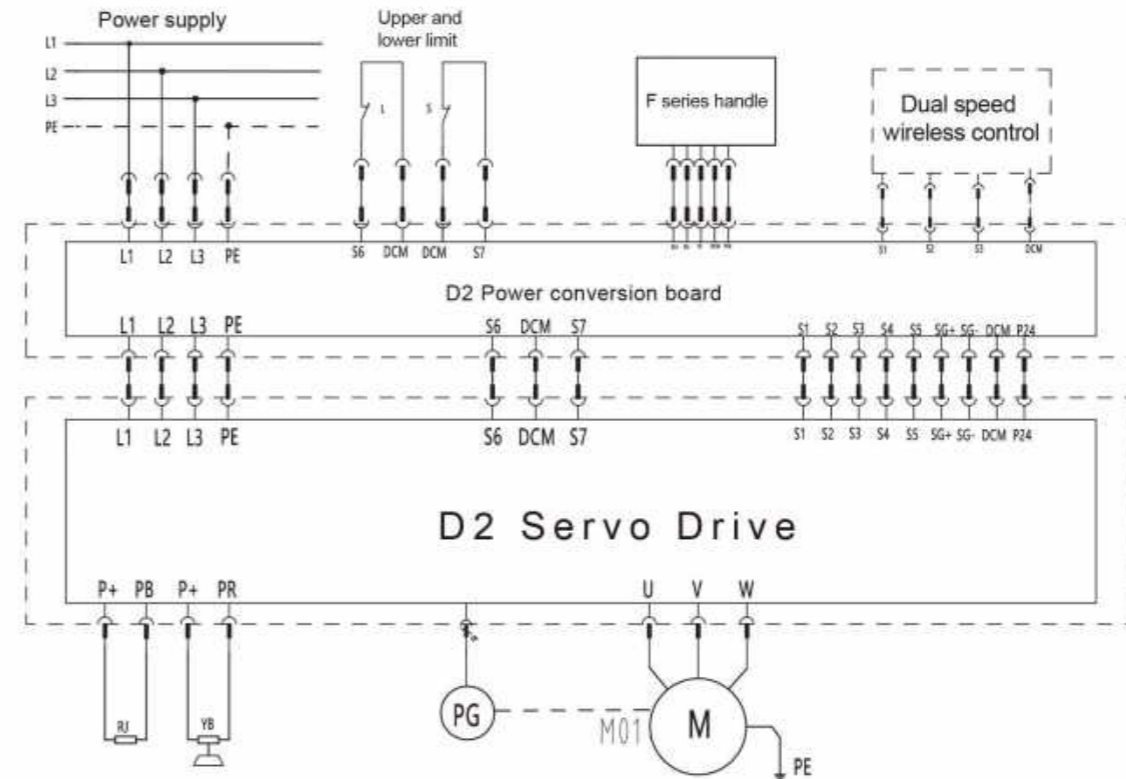
Product Specifications and Dimensions



Overall Dimension Table (Unit: mm)

Model	A	B	C	D	E	F	G	H	I	J	K	L
D2B012-F D2C012-F	18	424	782	90	296	R21	19	Φ30	36	174	205	151
D2B025-F D2C025-F	18	424	782	90	296	R21	19	Φ30	36	174	205	151
D2B050-F D2C050-F	18	468	782	90	313	R21	19	Φ30	38	192	208	163

Wiring Diagram



Note: For reference only, the actual line is subject to the product manual.

Innovation Leads The Future

Controller

1. Accurate positioning: Zero-speed servo function, lifting the work pieces smoothly, with a speed control ratio of up to 1:1000. And a minimum lifting speed can achieve 0.05m/min (zero speed start), which makes it easier to control the work pieces without vibration and noise.
2. Wide speed servo range and efficient operation: When unloaded or below 10% of the rated load, can reach the fastest lifting (1.9 times higher than the normal speed)
3. Diverse interfaces adapt to various control signal, which is flexible.

Encoder

1. Adopting a high-resolution magnetic encoder with fast response rate.
2. Long life.
3. High control accuracy, achieving precise positioning.

Special Drive Cover

1. Adopting intergrate aluminum die-casting technology. This is used for the assembly of driver modules, allowing the driver modules to come together. It can improve heat dissipation efficiency and increases product stability.
2. Dustproof, waterproof, and easy to dissipate heat.
3. Protection level up to IP55.

Status Display Screen

Display the current operating speed (n.nn m/min), fault status and other information in real time.

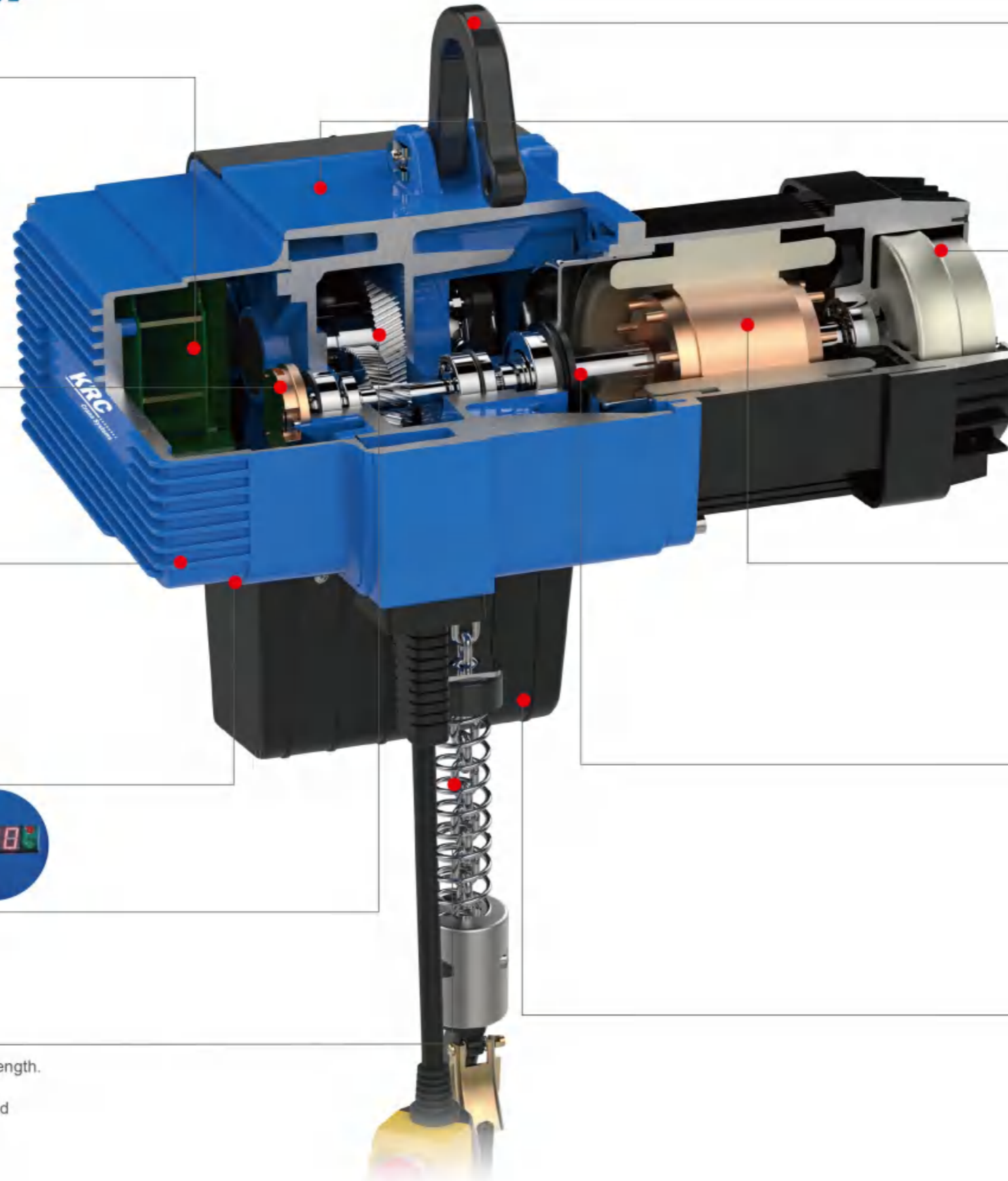


Gearbox

All shift position in the gearbox are engaged with helical gears. So noise is effectively reduced. And Operation is smooth. Product life is extended.

Round Steel Chain

1. High strength and aging resistant materials with high surface strength.
2. After special surface treatment to prevent rust.
3. Can select additional rust protection, suitable for food industry and extreme dust environments.



Hange

Articulated suspension and smaller hook size C, which can optimize headroom.

Shell

The sturdy and lightweight Aluminum alloy shell adopts modern industrial design.

Electromagnetic Brake

1. Fully utilizing the characteristics of servo controlled electronic brakes. At the same time, it adopts electromagnetic brake, no shaking during the lifting process, ensuring smooth operation and safe braking.
2. The combination of electronic brake and electromagnetic brake can fully reduce the wear of the brake pads. The life of the electromagnetic brake and the entire equipment has been extended.

Servo Motor

1. Specially designed servo motor for lifting, which can achieve lifting at zero speed. (under rated load state) and accurately controlling the speed.
2. Without fan, ample power margin.

Direct Connection Structure

1. Adopting a direct connection structure, there will be no slippage and ensuring control precision.
2. Through special algorithms of servo control, electronic clutch technology is implemented to provide reliable protection against overload situations.

Chain box

- 1.1. Articulated installation, using highly impact resistant plastic material.
2. Metal chain box, suitable for larger hook travel.

CASES STUDY



**Installation Solution
Of Folding Jib Crane**



**Installation Solution
Of Jib Crane**



**Workstation Crane
Installation Solution**

Please Contact Us for More Information

CHENGDU KARUI LIFTING EQUIPMENT CO., LTD.

Tel/Wechat/Whatsapp: +86 136 8832 4315

Email: carolduan@krccranes.com

Website: www.krccranes.com

ADD: A702, Creative Center, OCT, Jinniu District, Chengdu, China



Wechat



Whatsapp