

D3 Series Intelligent Servo Chain Hoist



Product Brief

It adopts aluminum shell, which is lightweight and sturdy. And we have a unique patented technology, servo system controlled by industrial processors, which help D3 series intelligent servo hoist improve lifting speed and assembly accuracy. It combines high technology and human action instructions, which makes it easier to move heavy object. Intelligent servo hoist can maximize production efficiency and reduce the physical pressure of worker. At the same time, it can reduce product damage rate and industrial accident.

Product Features

01 HANDLE/SUSPENSION DUAL MODE

Handle mode:
According with ergonomics. Person with one hand can operate.

Suspension mode:
It can move easily through handle. It can also directly move the item to precise position.

02 STEPLESS SPEED CHANGE/CONTROLLABLE SPEED

The speed change according to the action speed of operators. It is suitable for situation that require different speed to achieve precise position.

03 PRECISE POSITIONING FUNCTION

Enable operator to move precise equipment and fragile products accurately and smoothly.

04 SAFE AND RELIABLE

Overload protection function:
Automatic weight induction system. It will give an alarm and stop working when it senses overload.

Power off protection function:
When the power supply fails, the safety brake automatically locks, the load will not fall.

Photoelectric induction function:
There is an integrated photoelectric sensor in the handle. Only after sensing that the operator is in place can the hoist be operated, which can prevent accidental contact.

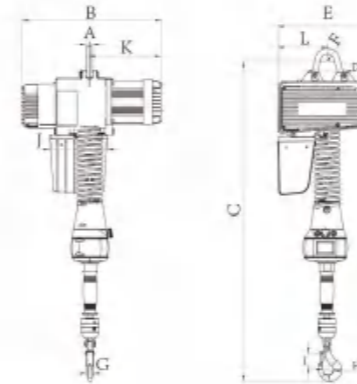
Soft limit function:
The system has soft limit, reducing the risk of collision and providing flexible working range.

Anti rebound function:
Prevent sudden changes in weight from causing movement and rebound, which can eliminate potential security risks.

Product Specifications and Dimensions

| Item | Model | D3L012 | D3L025 | D3L050 |
|-----------------------------------|-------|------------------------------|--------|--------|
| Maximum load(Kg) | | 125 | 250 | 500 |
| lifting speed(m/min) | | 0-16 | 0-16 | 0-10 |
| Rated power(KW) | | 0.75 | 0.75 | 1.1 |
| Default itinerary(m) | | 2.8(customizable) | | |
| Control mode | | Coaxial sliding handle | | |
| Self Weight(Kg) | | 27 | 27 | 33 |
| Chain specifications (mm) | | 5.0 | 5.0 | 5.0 |
| Voltage | | standard 380V(optional 220V) | | |
| Working level of the organization | | 3m/M6 | 3m/M6 | 3m/M6 |
| Working temperature(°C) | | -10°C~55°C | | |

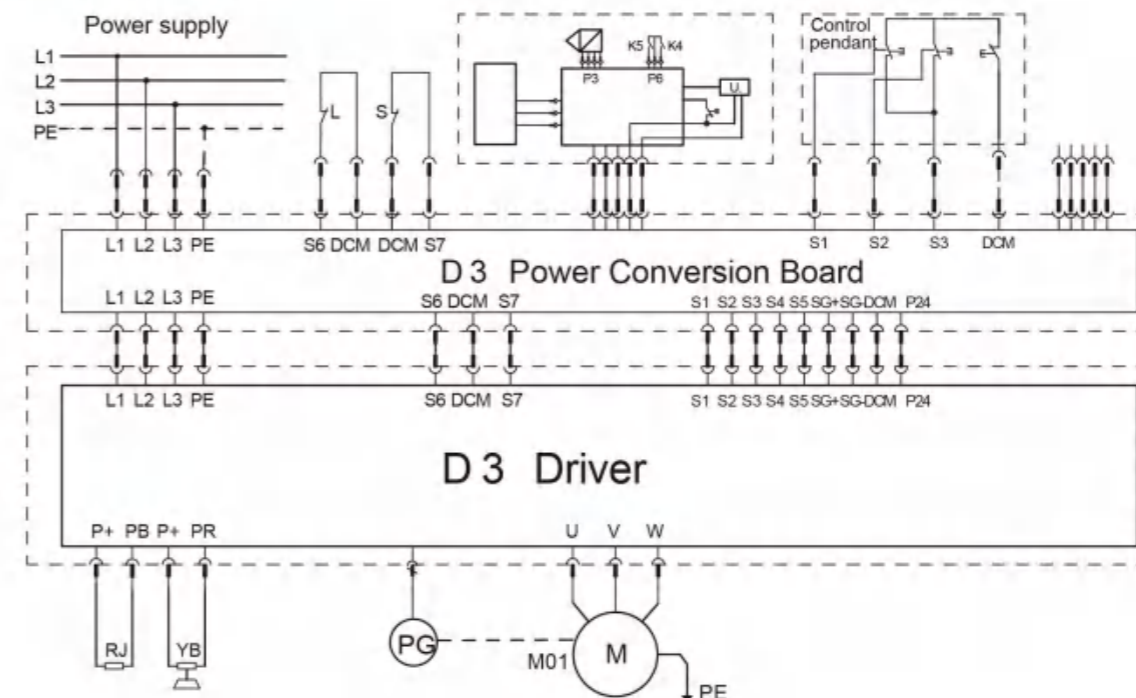
Note: The above data is for selection reference only, and the actual data based on the product nameplate.



Overall Dimension Table (Unit: mm)

| Model | A | B | C | D | E | F | G | H | I | J | K | L |
|--------|----|-----|-----|----|-----|-----|----|-----|----|-----|-----|-----|
| D3L012 | 18 | 424 | 993 | 90 | 296 | R21 | 19 | Φ32 | 38 | 174 | 205 | 151 |
| D3L025 | 18 | 424 | 993 | 90 | 296 | R21 | 19 | Φ32 | 38 | 174 | 205 | 151 |
| D3L050 | 18 | 468 | 998 | 90 | 321 | R21 | 19 | Φ32 | 38 | 192 | 208 | 171 |

Wiring Diagram



Note: For reference only, the actual line is subject to the product manual.

Innovation Leads The Future

Controller

1. Accurate positioning: Zero-speed servo function, lifting the work pieces smoothly, with a speed control ratio of up to 1:1000. And a minimum lifting speed can achieve 0.05m/min (zero speed start), which makes it easier to control the work pieces without vibration and noise.
2. Wide speed servo range and efficient operation: When unloaded or below 10% of the rated load, can reach the fastest lifting (1.9 times higher than the normal speed)
3. Diverse interfaces adapt to various control signal, which is flexible.

Encoder

1. Adopting a high-resolution magnetic encoder with fast response rate.
2. Long life.
3. High control accuracy, achieving precise positioning.

Special Drive Cover

1. Adopting intergrate aluminum die-casting technology. This is used for the assembly of driver modules, allowing the driver modules to come together. It can improve heat dissipation efficiency and increases product stability.
2. Dustproof, waterproof, and easy to dissipate heat.
3. Protection level up to IP55.

Status Display Screen

Display the current operating speed (n.nn m/min), fault status and other information in real time.

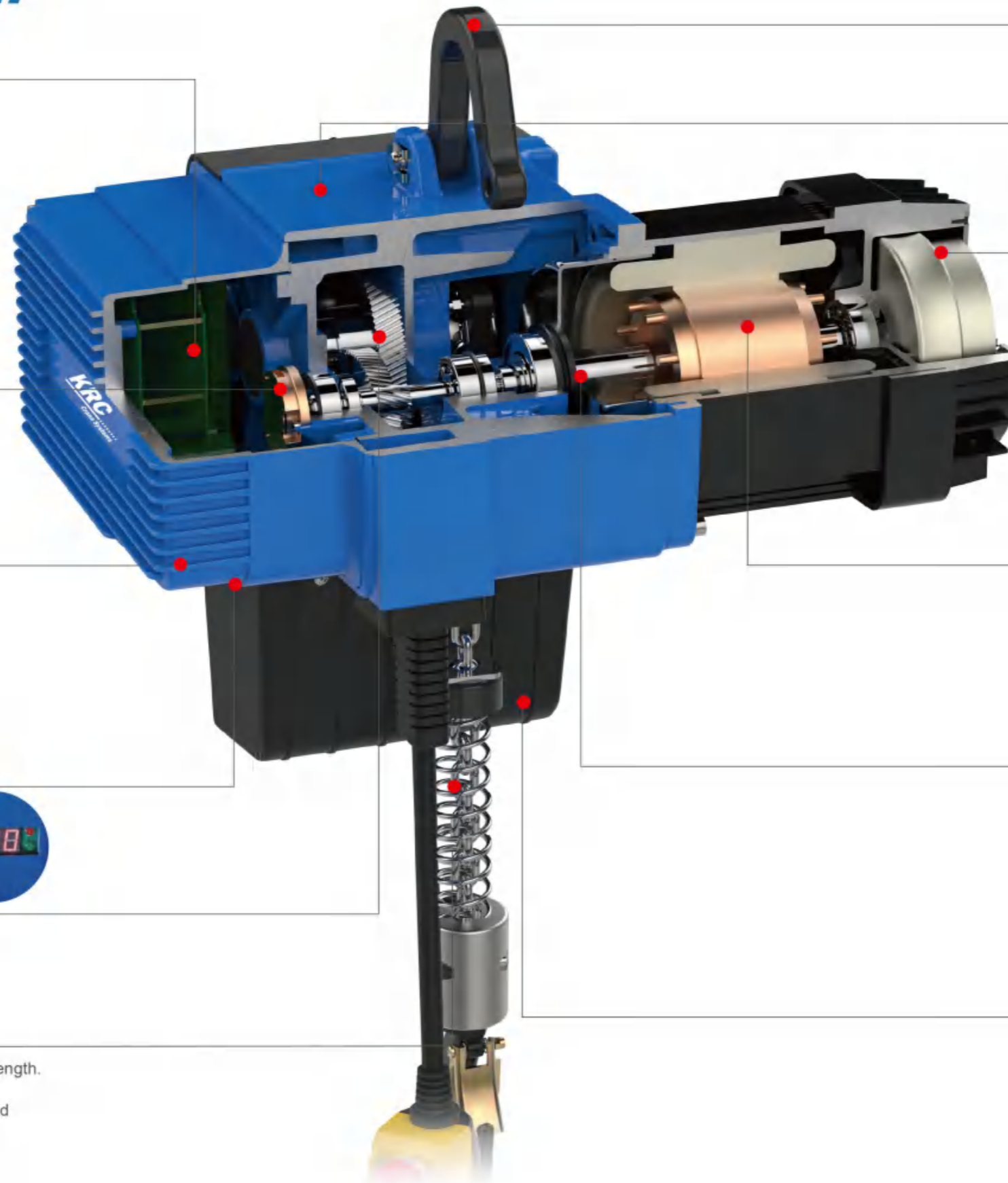


Gearbox

All shift position in the gearbox are engaged with helical gears. So noise is effectively reduced. And Operation is smooth. Product life is extended.

Round Steel Chain

1. High strength and aging resistant materials with high surface strength.
2. After special surface treatment to prevent rust.
3. Can select additional rust protection, suitable for food industry and extreme dust environments.



Hange

Articulated suspension and smaller hook size C, which can optimize headroom.

Shell

The sturdy and lightweight Aluminum alloy shell adopts modern industrial design.

Electromagnetic Brake

1. Fully utilizing the characteristics of servo controlled electronic brakes. At the same time, it adopts electromagnetic brake, no shaking during the lifting process, ensuring smooth operation and safe braking.
2. The combination of electronic brake and electromagnetic brake can fully reduce the wear of the brake pads. The life of the electromagnetic brake and the entire equipment has been extended.

Servo Motor

1. Specially designed servo motor for lifting, which can achieve lifting at zero speed. (under rated load state) and accurately controlling the speed.
2. Without fan, ample power margin.

Direct Connection Structure

1. Adopting a direct connection structure, there will be no slippage and ensuring control precision.
2. Through special algorithms of servo control, electronic clutch technology is implemented to provide reliable protection against overload situations.

Chain box

1. Articulated installation, using highly impact resistant plastic material.
2. Metal chain box, suitable for larger hook travel.

CASES STUDY



**Installation Solution
Of Folding Jib Crane**



**Installation Solution
Of Jib Crane**



**Workstation Crane
Installation Solution**

Please Contact Us for More Information

CHENGDU KARUI LIFTING EQUIPMENT CO., LTD.

Tel/Wechat/Whatsapp: +86 136 8832 4315

Email: carolduan@krccranes.com

Website: www.krccranes.com

ADD: A702, Creative Center, OCT, Jinniu District, Chengdu, China



Wechat



Whatsapp