



Mining Winch

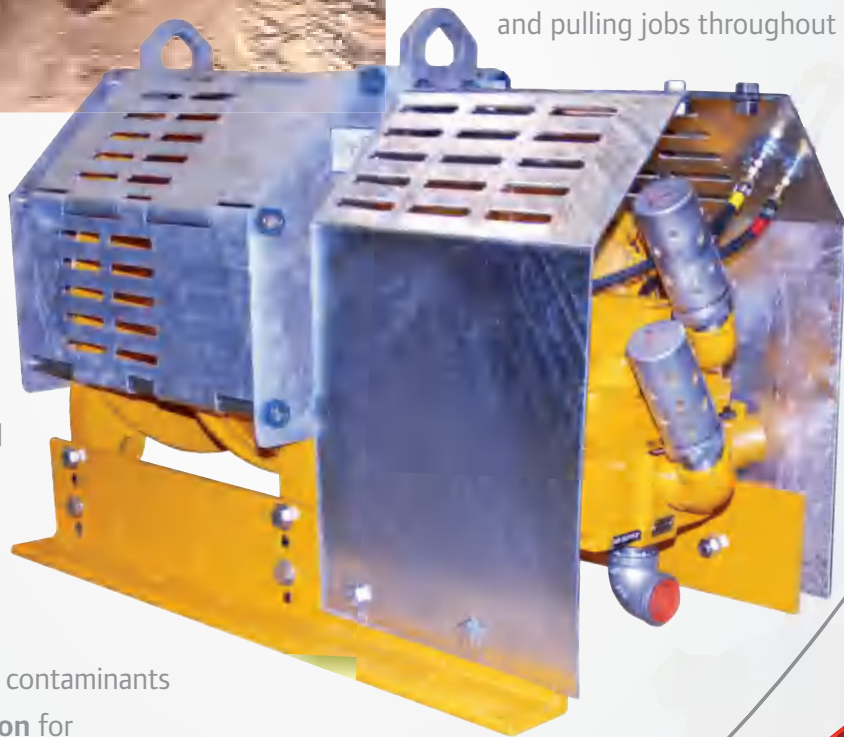
4,400 lbs (1,996 kg)



Ingersoll Rand FA2i mining winches are designed specifically for mining operations. Developed in real working mines and refined by miners who've had gloves on the throttle, these winches are purpose built to thrive in harsh environments. They are based on our rugged Infinity series air winches which are used on offshore oil rigs and other demanding 24/7 applications throughout the world. With a compact size and reliable operation this unit is a rock solid choice for all of your lifting and pulling jobs throughout the mine.

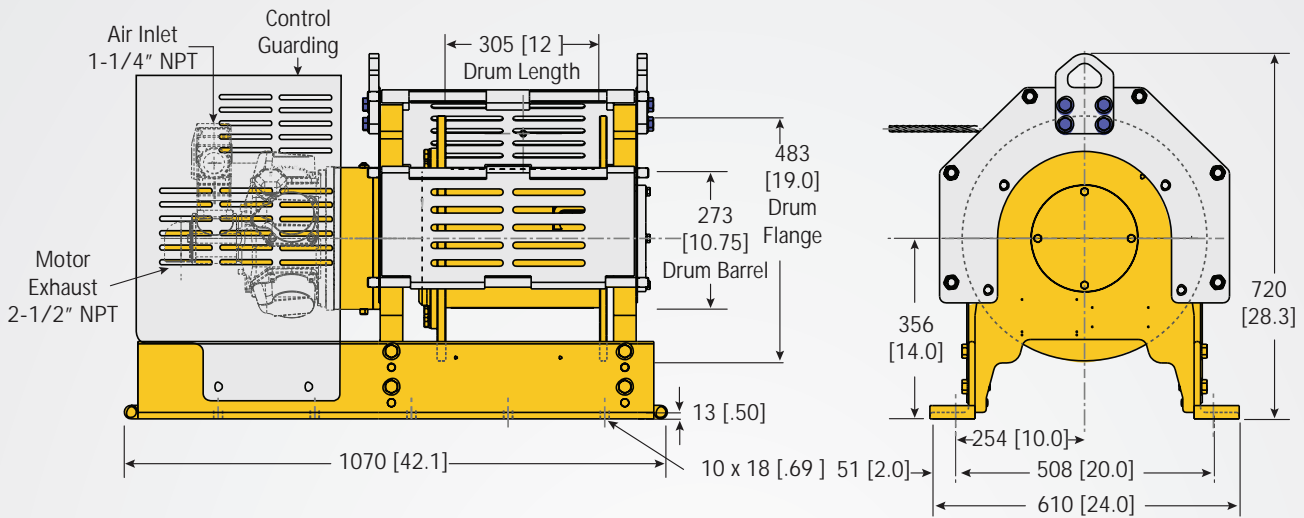
Features:

- Full debris protection with drum and control guards
- Reliable air motor works in the harshest of environments
- **Strong 9.4 hp radial piston motor** with ample torque and precise spotting control
- Remote pendant control with variable speed
- **Sealed, automatic disc brake** for sure operation and protection from moisture and contaminants
- **Rugged all-steel construction** for maximum durability
- **Abrasion resistant sheathing** over control hoses
- **Quick check oil sight** gauge on motor
- Quick release/replace for pendant control
- Meets ASME B30.7

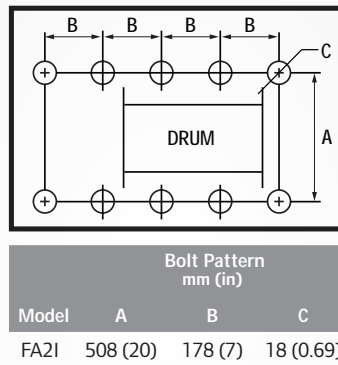


Mining Winch

4,400 lbs (1,996 kg)



Bolt Pattern



Quick disconnects on the pendant hoses that are color coded

Quick check oil sight gauge



The most cost-effective solution may not be a standard item. Ingersoll Rand designs and manufactures custom winches and hoists for all types of applications. From presale evaluation to onsite delivery and installation, Ingersoll Rand can design the perfect solution for your application.

General Performance. Performance based on a 5:1 design factor and 6.3 bar (90 psi) air inlet pressure with the motor running

Model	HP	Rated Capacity at Top Layer	Lifting Speed at Top Layer	Stall Pull	Air Consumption with Rated Load	Travel Air Volume of Air Needed to Move Distance Shown	Sound Level as per En 14492-1	Inlet Size	Exhaust Size	Net Weight
		kg (lb)	m/min (f/fpm)	kg (lb)	m ³ /min (ft ³ /min)	over 3 m (10 ft)	dB(A)	NPT	NPT	kg (lb)
FA2i	9.4	2000 (4,400)	16 (51)	4154 (9,139)	8 (280)	0.3 (10.8)	87	1-1/4"	1-1/4"	386 (850)

Drum capacity

Model	Rated Capacity at Top Layer	Recommended Rope Diameter	Minimum Rope Breaking Force ⁽¹⁾	Drum Capacity per Layer ⁽²⁾							
				Layer 1	Layer 2	Layer 3	Layer 4	Layer 5	Layer 6	Layer 7	Layer 8
FA2i-12	2000 (4,400)	13 (1/2)	10,000 (22,000)	(20) 66	(42) 141	(66) 220	(91) 305	(119) 396	(147) 492	(178) 594	(210) 702

⁽¹⁾ Recommended minimum breaking force of wire rope based on top layer line pull rating.

⁽²⁾ Drum Capacity is based on tightly wound wire rope and 1/2" freeboard from the top of the flange to the top layer. Recommended drum working capacity is 80% of values shown.



For More Information www.ingersollrandproducts.com/lifting lifting@irco.com

Ingersoll Rand, IR, the IR logo and Impactool are trademarks of Ingersoll Rand, its subsidiaries and/or affiliates. All other trademarks are the property of their respective owners. Nothing contained on these pages is intended to extend any warranty or representation, expressed or implied, regarding the product described herein. Any such warranties or other terms and conditions of sale of products shall be in accordance with Ingersoll Rand's standard terms and conditions of sale for such products, which are available upon request. Product improvement is a continuing goal at Ingersoll Rand. Designs and specifications are subject to change without notice or obligation. Unless otherwise noted this equipment is not designed for transporting people or lifting loads over people. It is the user's responsibility to determine the suitability of this product for any particular use and to check compliance with applicable regulations. Before installation, see maintenance and operations manual for additional warnings and precautions.