



# Third Generation FA2B Air Winches

1,450 kg (3,200 lb)

**Lift-to-Shift variable speed lever** provides precise control and built-in safety

**Manual drum brake and/or auto disc brake**

**Adjustable drum guard** - optional but recommended for all applications

**Minimum 18:1 drum diameter** to wire rope diameter

**Self-cleaning control valve** improves flow and performance

**Radial piston air motor** provides reliable power with adjustable speed for any use

**Rugged cast steel construction** delivers long-life and durability

**Gearbox-in-drum design** reduces size and helps the winch fit in compact applications

Ideal for:



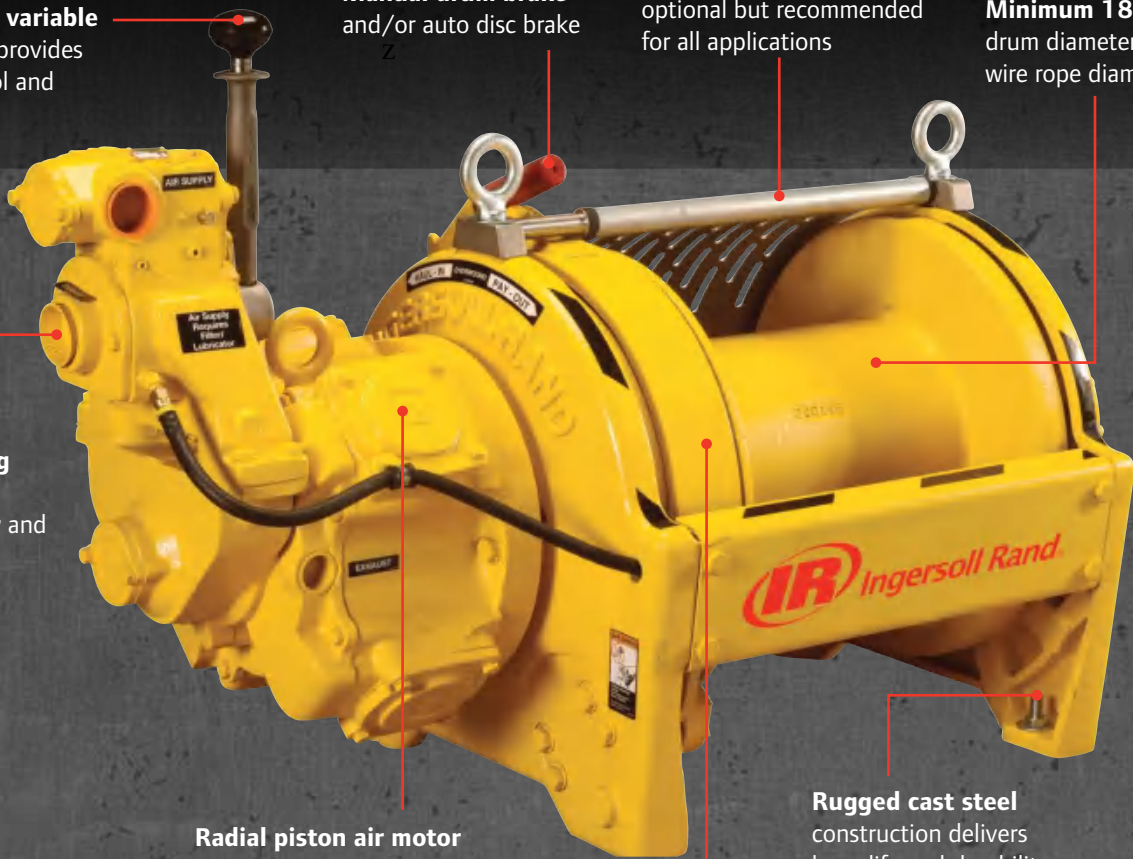
Onshore



Offshore



Marine

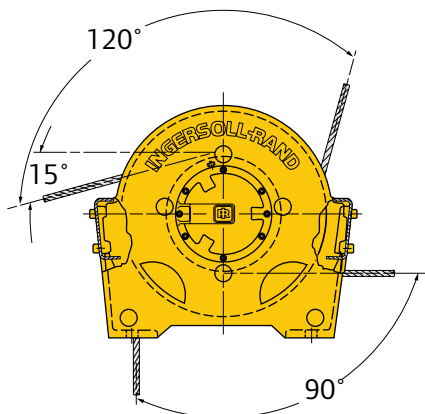
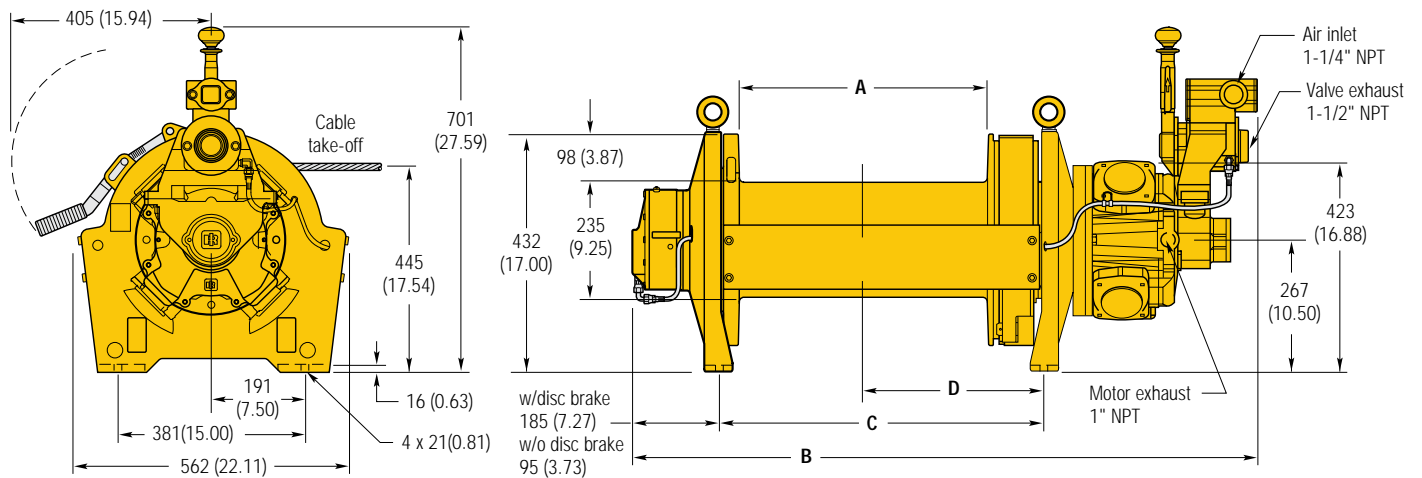




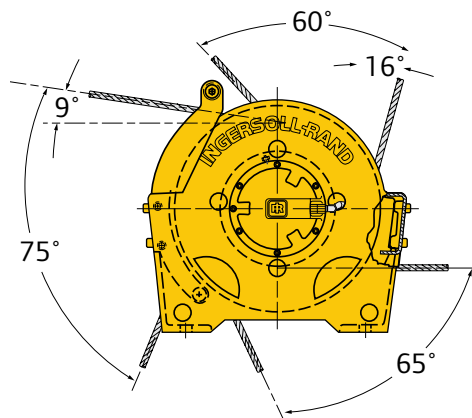
# Third Generation FA2B Air Winches

1,450 kg (3,200 lb)

The Ingersoll Rand Third Generation FA2B winch is built to handle whatever you need to throw at it. Made from cast steel and equipped with a powerful radial piston air motor, the FA2B winch is built to lift 1,450 kg (3,200 lbs) in extreme conditions.



Takeoff angle - Standard Configuration



Takeoff angle - Open Frame Option (H)

Dimensions shown are mm. Dimensions in Brackets [ ] are inches. Dimensions are subject to change. Contact factory for certified drawings.

Model	A		B			C		D	
	MX, XK, MK mm (in)	MX mm (in)	XK mm (in)	MK mm (in)	MX, MK mm (in)	XK mm (in)	MX, MK mm (in)	XK mm (in)	
FA2B-7**	178 (7.0)	866 (34.1)	881 (34.7)	950 (37.4)	312 (12.3)	244 (9.6)	191 (7.5)	122 (4.8)	
FA2B-13**	343 (13.5)	1,008 (39.7)	1,046 (41.2)	1,115 (43.9)	478 (18.8)	409 (16.1)	274 (10.8)	203 (8.0)	
FA2B-20**	508 (20.0)	1,173 (46.2)	1,204 (47.4)	1,280 (50.4)	643 (25.3)	574 (22.6)	356 (14.0)	287 (11.3)	
FA2BB-24**	610 (24.0)	1,298 (51.1)	1,313 (51.7)	1,382 (54.4)	744 (29.3)	676 (26.6)	406 (16.0)	338 (13.3)	

\*\* Indicated brake configuration. **MX**: Manual drum, no auto disc **XK**: No manual drum, auto disc **MK**: Manual drum, auto disc. Dimensions subject to change. Contact factory for certified prints.



Airline Accessories



Construction Cage



Press Roller

**General Performance. Performance based on a 5:1 design factor**

Model	Line Pull Capacity			Line Speed		
	First Layer kg (lb)	Mid Drum kg (lb)	Top Layer kg (lb)	First Layer m/min (fpm)	Mid Drum m/min (fpm)	Top Layer m/min (fpm)
FA2B-7**	2,260 (5,000)	1,820 (4,000)	1,450 (3,200)	24 (79)	31 (101)	37 (122)
FA2B-13**	2,260 (5,000)	1,820 (4,000)	1,450 (3,200)	24 (79)	31 (101)	37 (122)
FA2B-20**	2,260 (5,000)	1,820 (4,000)	1,450 (3,200)	24 (79)	31 (101)	37 (122)
FA2B-24**	2,260 (5,000)	1,820 (4,000)	1,450 (3,200)	24 (79)	31 (101)	37 (122)

**General Characteristics. Performance at 6.3 bar (90 psi) air inlet pressure with the motor running**

Model	Motor	Lifting Speed at Top Layer	Air Consumption with Rated Load	Air Volume Needed to Move Rated Load at Top Layer	Stall	Sound Level as per EN 14492-1	Net Weight
	kW (hp)	m/min (fpm)	m <sup>3</sup> /min (ft <sup>3</sup> /min)	3 m (10 ft)	kg (lb)	dB(A)	kg (lb)
FA2B-7**	12 (16)	37(122)	10 (350)	0.8(28.7)	3,084 (6,800)	87	308 (679)
FA2B-13**	12 (16)	37(122)	10 (350)	0.8(28.7)	3,084 (6,800)	87	308 (679)
FA2B-20**	12 (16)	37(122)	10 (350)	0.8(28.7)	3,084 (6,800)	87	308 (679)
FA2B-24**	12 (16)	37(122)	10 (350)	0.8(28.7)	3,084 (6,800)	87	308 (679)

**Drum capacity**

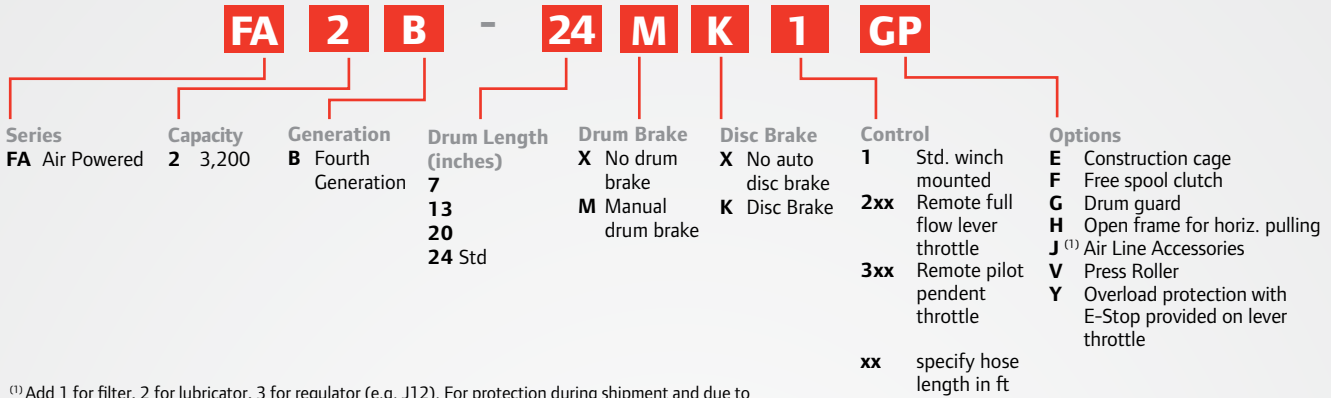
Model	Minimum Rope Breaking Force <sup>(1)</sup> kN (lbs)	Recommended Rope Diameter mm (in)	Drum Capacity per Layer <sup>(2)</sup> m (ft)							Max. Rope Storage Capacity <sup>(3)</sup> m (ft)
			Layer 1	Layer 2	Layer 3	Layer 4	Layer 5	Layer 6	Layer 7	
FA2B-7**	71 (16,000)	13 (1/2)	11 (33)	23 (70)	36 (109)	50 (152)	65 (198)	81 (248)	98 (300)	108 (356)
FA2B-13**	71 (16,000)	13 (1/2)	22 (66)	46 (139)	72 (218)	100 (304)	130 (396)	162 (495)	197 (600)	217 (712)
FA2B-20**	71 (16,000)	13 (1/2)	33 (100)	69 (209)	108 (328)	150 (456)	195 (595)	244 (743)	295 (900)	325 (1,068)
FA2B-24**	71 (16,000)	13 (1/2)	39 (120)	83 (252)	130 (395)	180 (550)	235 (717)	294 (895)	356 (1,085)	392 (1,287)

<sup>(1)</sup> Recommended minimum breaking force of wire rope based on top layer line pull rating.

<sup>(2)</sup> Drum Capacity is based on tightly wound wire rope and 1/2" freeboard from the top of the flange to the top layer. Recommended drum working capacity is 80% of values shown.

<sup>(3)</sup> Max storage capacity is tightly wound with no freeboard.

## How to Order



<sup>(1)</sup> Add 1 for filter, 2 for lubricator, 3 for regulator (e.g. J12). For protection during shipment and due to the wide range of installation variables, the airline accessories are shipped loose for client installation.

## Special Orders



Ingersoll Rand can provide customized solutions for your application. Whether you need to move specialized or high capacity loads or have custom control requirements, we can build the right solution for you. Ingersoll Rand's global account management team, dedicated project managers and engineering teams are focused exclusively on high capacity hoists and winches. From evaluation to installation and beyond, contact us to build your custom solution today.

- Design for custom capacities
- Custom control systems
- Custom product modifications
- Witness testing and complete certification to most global standards
- Full engineering capabilities including data packages and CAD drawings
- Global Account Management and dedicated project management teams
- Onsite services available including presale evaluation, installation and maintenance



For More Information [www.ingersollrandproducts.com/lifting](http://www.ingersollrandproducts.com/lifting) [lifting@irco.com](mailto:lifting@irco.com)

Ingersoll Rand, IR, the IR logo and Impactool are trademarks of Ingersoll Rand, its subsidiaries and/or affiliates. All other trademarks are the property of their respective owners. Nothing contained on these pages is intended to extend any warranty or representation, expressed or implied, regarding the product described herein. Any such warranties or other terms and conditions of sale of products shall be in accordance with Ingersoll Rand's standard terms and conditions of sale for such products, which are available upon request. Product improvement is a continuing goal at Ingersoll Rand. Designs and specifications are subject to change without notice or obligation. Unless otherwise noted this equipment is not designed for transporting people or lifting loads over people. It is the user's responsibility to determine the suitability of this product for any particular use and to check compliance with applicable regulations. Before installation, see maintenance and operations manual for additional warnings and precautions.