

ENGINEERED LIFTING SOLUTIONS

HOISTING FOR EXTREME APPLICATIONS



MANUAL CHAIN HOIST

500 KG – 50,000 KG LIFTING CAPACITY

Leaflet No. KITO-89125.01

MANUAL CHAIN HOIST

500 KG – 50,000 KG LIFTING CAPACITY

Designed and manufactured according to:

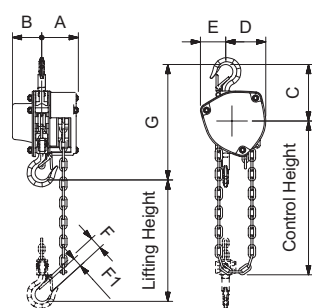
- ▶ EC machinery directive 2006/42/EC
- ▶ EN13157
- ▶ Manufactured in the Netherlands

Standard features:

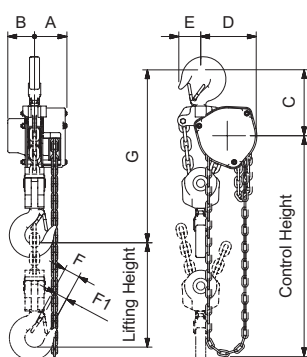
- ▶ Impact resistant housing
- ▶ Double pawl spring
- ▶ Highly accurate and durable gear mechanism
- ▶ Double brake enclose keeping out rainwater and dust
- ▶ Mechanical load brake
- ▶ Low pulling force on the hand chain
- ▶ Nickel plated load chain, grade V (G 100) in acc. with standard EN818-7
- ▶ Hand chain electric galvanized
- ▶ Surface treatment power coating, colour Munsell 6YR6/14R
- ▶ Operation temperature -40°C / +40°C
- ▶ Overload protection by slipping clutch

Optional:

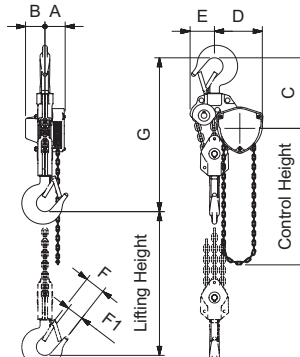
- ▶ Available in explosion protected execution
- ▶ Special surface protection acc. to ISO 12944.
- ▶ Excellent combination with HD3C trolleys
- ▶ Canvas chain bag
- ▶ 3.1 certificate load test certificate
- ▶ Steel or stainless steel container
- ▶ Stainless steel 316 load chain and hand chain
- ▶ Stainless steel nameplate with tag number



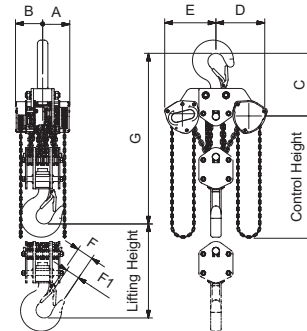
500 kg - 2,500 kg



3,000 kg - 5,000 kg



7,500 kg - 15,000 kg



20,000 kg - 50,000kg

Capacity kg	Article number	Model	No. of falls	Chain Size mm	Max. pulling force kg	Weight 3 meters Lift kg	Headroom mm	Dimensions					
								A	B	D	E	F	F1
500	89125-00500	K005	1	5	24	10	285	89	69	99	62	31,1	27
1,000	89125-01000	K010	1	6,3	29	11,5	295	91	71	99	62	34,6	29
1,500	89125-01500	K015	1	7,1	35	14,5	350	93	78	112	70	38,8	34
2,000	89125-02000	K020	1	8	36	20	375	95	87	125	77	40	36
2,500	89125-02500	K025	1	9	33	27	420	101	91	143	90	42,5	40
3,000	89125-03000	K030	2	7,1	36	24	510	93	78	162	73	46	42,5
5,000	89125-05000	K050	2	9	34	41	600	101	91	194	88	50	46,5
7,500	89125-07500	K075	3	9	35	60	770	101	91	253	120	79,5	72,5
10,000	89125-10000	K100	4	9	36	79	760	81	111	308	130	79,2	72,5
15,000	89125-15000	K150	6	9	37	149	1020	149	119	337	155	94,6	80
20,000	89125-20000	K200	8	9	36x2	227	1180	187	187	373	373	95,7	81
30,000	89125-30000	K300	10	9	43x2	300	1300	202	202	373	373	118	103
40,000	89125-40000	K400	14	9	43x2	467	1480	251	251	380	380	108	96
50,000	89125-50000	K500	16	9	49x2	625	1560	272	272	398	398	118	100

Changes in design and measurements reserved.