



About KRC

Karui Lifting Equipment (KRC) Co., Ltd., is a modernized enterprise formed on the basis of fully technical cooperation with **ABUS** in 1998, has been given priority to the design, production and installation of broad range of lifting equipments.

KRC is the very first company who dedicated to the research, development and manufacture of European style cranes and intelligent cranes in China. Also, KRC is one of the first batches of companies who indulge in the research, development and manufacture of industrial-grade multi-scene application winches.

Leading a over 20-year headway, KRC has already supplied thousands of equipments for different industries and received a good reputation.

Advantages

Professional design and high standard production.


Only choose parts from first-class brands.


Complete quality inspection to ensure the quality.

Full range of after-sales services.

OEM/ODM services.

CONTENT KJX ELECTRIC WINCH

Features 

Basic Configurations 

Basic Parameters 

More Customization 



KJX Electric Wire Rope Winch 500Kg-5000Kg



The KJX electric wire rope winch adopts a highperformance, efficient, and high safety design, modular production and integrates multiple advantages such as quietness, maintenance free, high efficiency, high safety, and easy installation.

It is suitable for lifting, pulling, or positioning loads in stages, shopping malls, industrial cases and other places.

PRODUCT FEATURES

- 1.Small in size, light in weight, and powerful load capacity;
- 2.Low energy consumption, low noise, high reliability and prudent speed regulation;
- 3.The motor protection level can reach up to IP66 and the insulation level is F;
- 4.Standard electronic overload protection device;
(for products weighing over 1000kg);
- 5.Adjustable gear limit switch, used to limit the rope path in two directions;
- 6.Standard operating voltage: 380-420v-3-50HZ;
- 7.Wireless remote control available;



**KJX WINCH
(EXPLOSION-PROOF VERSION)**

PRODUCT EXPANSION

This electric winch can also be made of stainless steel/aluminum alloy according to the requirements of the usage scenario.

For detailed information, please consult sales!

KJX Electric Winch

BASIC CONFIGURATION



The following is the basic configuration of KJX winch. If other configurations or specified brand accessories are needed, please refer to page 4



Wire Rope And Drum

High Tensile strength wire rope with 1770MPa for high working and safely performance. Rolling on seamless steel drum winch made of Q345(Fe52) class steel materials.



Motor

The reducer is equipped with world-renowned brands motors, which ensures excellent working performance. The shell reaches a high protection level of IP55. Equipped with an efficient cooling fan, the cooling effect is good.



Height limiter

Ensure that the lifting components automatically cut off the lifting power source after reaching the maximum height, preventing the lifting components from continuing to rise and avoiding serious safety accidents caused by excessive lifting.



Hook

Compliant with DIN standard high-grade load hooks, forged from high-strength alloy materials, with specially designed hook shells, distinctive appearance, and high working performance.



Controller

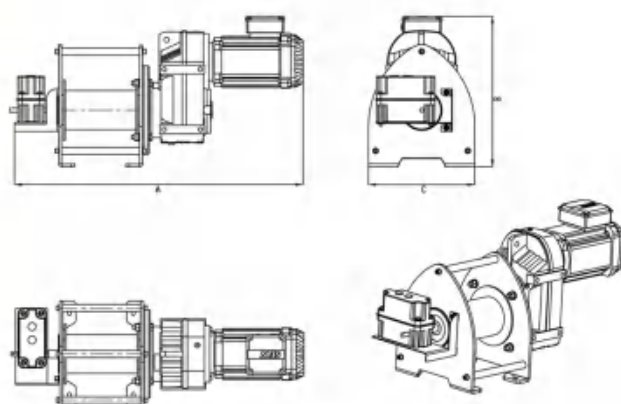
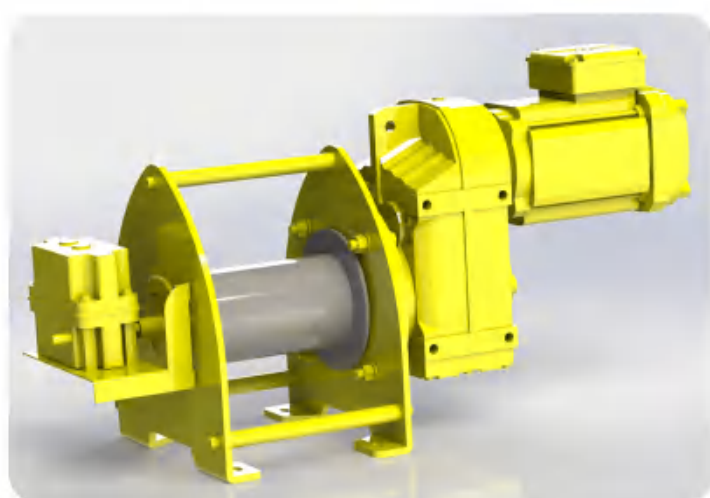
The suspended controller has a high protection level of IP65 and can be used directly outdoors. Remote control can be an additional option for customers. For some special workplaces or environments, this is very necessary.



Gearbox

The F series reducer has high transmission efficiency, small size, good heat dissipation performance, and a wide transmission range, which can meet different operating conditions and diverse installation needs. Easy installation improves the efficiency of equipment installation and facilitates maintenance.

KJX Electric Winch Basic Parameters (500kg-5000kg)



Technical Parameter

Model	500kg	1000kg	2000kg	3000kg	5000kg
Load	500kg	1000kg	2000kg	3000kg	5000kg
Speed	8m/min	8m/min	8m/min	8m/min	8m/min
Motor Power	0.75kw	1.5kw	3.0kw	5.5kw	7.5kw
Wire Rope Diameter	6mm	10mm	12mm	16mm	20mm
Rope Capacity	21m	35m	42m	56m	75m
Weight	75kg	146kg	245kg	485kg	1320kg

Product Size

Model	500kg	1000kg	2000kg	3000kg	5000kg
Length(A)	814mm	1002mm	1180mm	1480mm	1920mm
Width(B)	424mm	520mm	628mm	832mm	1155mm
Height(C)	300mm	380mm	425mm	590mm	830mm

About Customizing (KJX Electric Winch)

ITEMS	CONFIGURATION
Motor	can specify brands; flame-proof motor or servo motor available
Brake	Electromagnetic disc dual brake available
Rope Release	Dual or multiple output ropes; rope groove and rope guide to output the rope
Rope Guide	Reciprocating automatic rope arrangement device
Speed	According to actual scene requirements
Rope Capacity	According to customers' s orders
Clutch	Manual clutch or electromagnetic clutch available
Control Method	Variable frequency speed regulation; PLC and encoder; remote control
Parameter Monitoring	Such as meters, tension values, speed values, etc
Other Materials	Stainless steel/aluminum alloy electric winch is available

Contact us for more info:



Visit Homepage for more
<https://krccranes.com/>