



About KRC

Karui Lifting Equipment (KRC) Co., Ltd, is a modernized enterprise formed on the basis of fully technical cooperation with **ABUS** in 1998, has been given priority to the design, production and installation of broad range of lifting equipments.

KRC is the very first company who dedicated to the research, development and manufacture of European style cranes and intelligent cranes in China. Also, KRC is one of the first batches of companies who indulge in the research, development and manufacture of industrial-grade multi-scene application winches.

Leading a over 20-year headway, KRC has already supplied thousands of equipments for different industries and received a good reputation.

Advantages

Professional design and high standard production.

Only choose parts from first-class brands.

Complete quality inspection to ensure the quality.

Full range of after-sales services.

OEM/ODM services.

CONTENT KJH ELECTRIC WINCH

Features

Basic Configurations

Basic Parameters

More Customization





KJH Electric Wire Rope Winch 250Kg-5000Kg

The KJH electric wire rope winch adopts a highperformance, efficient, and high safety design, modular production and integrates multiple advantages such as quietness, maintenance free, high efficiency, high safety, and easy installation.

It is suitable for lifting, pulling, or positioning loads in stages, shopping malls, industrial cases and other places.



PRODUCT FEATURES

- 1.Tight structure and compact appearance;
- 2.The motor protection level can reach up to IP55;
- 3.Standard electronic overload protection device
(for products weighing over 1000kg);
- 4.Adjustable four point height and limit switch;
- 5.The electrical control box ensures the normal operation of the equipment
- 6.Voltage Options: 220-415V,50-60Hz
- 7.The pulley tightly arranges the steel wire rope



(KJH STAINLESS STEEL WINCH)

PRODUCT EXPANSION

This electric winch can also be made of stainless steel according to the requirements of the usage scenario.

For detailed information, please consult sales!

KJH Electirc Winch BASIC CONFIGURATION



The following is the basic configuration of KJH winch. If other configurations or specified brand accessories are needed, please refer to page 4



Wire Rope And Drum

High Tensile strength wire rope with 1770MPa for high working and safely performance. Rolling on seamless steel drum winch made of Q345(Fe52) class steel materials.



Motor

The motors we provide are from world-renowned brands on site, which have excellent performance. The shell reaches a high protection level of IP55. Equipped with an efficient cooling fan, the cooling effect is good.



Height limiter

Ensure that the lifting components automatically cut off the lifting power source after reaching the preset safe height limit, preventing the lifting components from continuing to rise and avoiding serious accidents such as wire rope breakage, heavy object falling, equipment damage, etc. caused by excessive lifting.



Hook

Compliant with DIN standard high-grade load hooks, forged from high-strength alloy materials, with specially designed hook shells, distinctive appearance, and high working performance.



Remote control

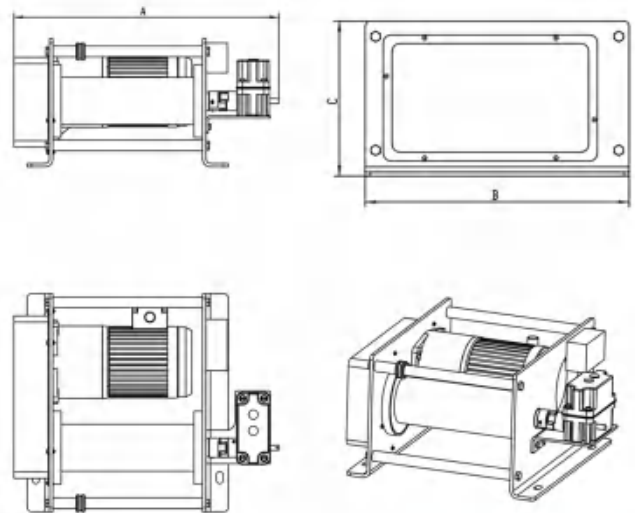
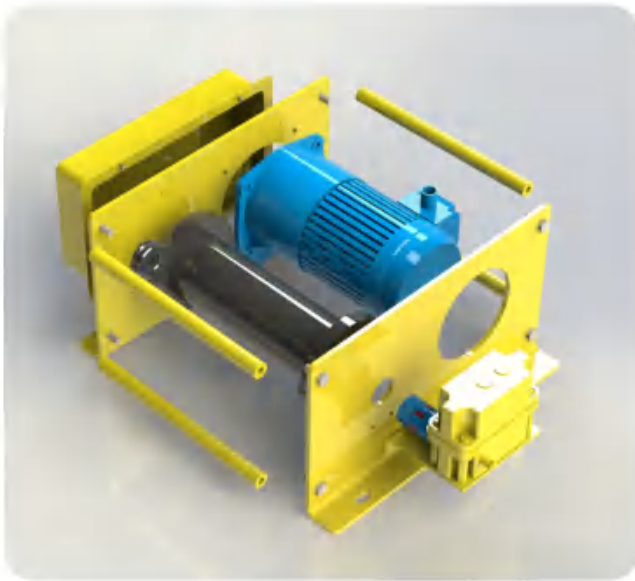
A sturdy and ergonomic pendant serves as the standard operating controller. The suspended controller has an IP65 high enclosure and protection level, and can be used directly outdoors. Remote control can be an additional option for customers. For some special workplaces and environments, this is very necessary.



Electric Control Panel

Turn on and off the equipment through internal control circuits. At the same time, it can also play a role in protecting electrical equipment, such as preventing electrical faults such as overload, short circuit, undervoltage, overvoltage, etc. from causing damage to the equipment.

KJH Electric Winch Basic Parameters (500kg-5000kg)



Technical Parameter

Model	500kg	1000kg	2000kg	3000kg	5000kg
Load	500kg	1000kg	2000kg	3000kg	5000kg
Speed	8m/min	8m/min	8m/min	6m/min	6m/min
Motor Power	0.75kw	1.5kw	2.2kw	3.7kw	7.5kw
Wire Rope Diameter	6mm	10mm	12mm	16mm	20mm
Rope Capacity	35m	40m	55m	55m	125m
Weight	90kg	185kg	320kg	380kg	1240kg

Product Size

Model	500kg	1000kg	2000kg	3000kg	5000kg
Length(A)	599mm	726mm	822mm	850mm	1455mm
Width(B)	510mm	640mm	800mm	810mm	1100mm
Height(C)	300mm	380mm	450mm	540mm	700mm

About Customizing (KJH Electric Winch)

ITEMS	CONFIGURATION
Motor	can specify brands; flame-proof motor or servo motor available
Brake	Electromagnetic disc dual brake available
Rope Release	Dual or multiple output ropes; rope groove and rope guide to output the rope
Rope Guide	Reciprocating automatic rope arrangement device
Speed	According to actual scene requirements
Rope Capacity	According to customers' s orders
Clutch	Manual clutch or electromagnetic clutch available
Control Method	Variable frequency speed regulation; PLC and encoder; remote control
Parameter Monitoring	Such as meters, tension values, speed values, etc
Other Materials	Stainless steel Electric winch is available

Contact us for more info:



Visit Homepage for more
<https://krccranes.com/>