



***KRC***  
***CRANE SYSTEMS***

BROCHURE OF SPREADER BEAM



## **ABOUT KRC**

**Karui Lifting Equipment (KRC) Co., Ltd.**, is a modernized enterprise formed on the basis of fully technical cooperation with **ABUS** in 1998, has been given priority to the design, production and installation of broad range of lifting equipments. Also, KRC is a high-standard structural steel supplier to STAHL, GH.



- KRC is the very first company who dedicated to the research, development and manufacture of European style cranes and intelligent cranes in China.
- KRC is one of the first batches of companies who indulge in the research, development and manufacture of industrial-grade multi-scene application winches.
- Chinese supreme A-class manufacturing and installation and maintenance qualifications.
- KRC factory has made maximum double girder crane, which equipped with a lifting capacity of 360 tons and a span of 34.5 meters.
- KRC serves industries including but not limited to iron and steel smelting, non-ferrous metal processing, automobile manufacturing, aircraft manufacturing, chemical industry, paper industry, manufacturing industry, construction industry, nuclear industry and military industry.
- KRC has been awarded the title of "Small Giant" enterprise of Henan Province. The company's technology research and development center is named provincial technology research and development center.



Leading a 26-year headway, KRC has already supplied thousands of equipments for different industries and calling with its professional technical knowledge, eminent design capability, high level process and considerate service and received a wide favorable reception around our guests.

# KRC's Advantages

•Registered Capital  
USD 100 Million

•Factory Area  
28000sqm

•Annual Output Value  
USD 200+ Million

•Annual Output Quantity  
1800+

•Number of Patents  
USD 100 Million

•Number of Employees  
28000sqm

•Number of Engineers  
USD 200+ Million

•Annual Output Quantity  
1500+



•Professional design services, high standard production and quick delivery to meet different needs of customers and site conditions. Our rich experience and capacity can offer one-stop solution for lifting and handling problems.

•KRC products are standardized with first-tier brands parts to ensure the quality of the products.



•KRC grasps each production link to ensure quality, delivery and meet the deadline.

•KRC will provide professional technical training, installation support and after-sales service.



•Cooperate with passing various tests to ensure the products meet different local standards.

•OEM/ODM services.

# SPREADER BEAMS

---



## **Table of Content**

Spreader beam range

Suspension variants

Load carrying variants

KTS-E

Spreader beam, non-adjustable

Dimensions KTS-E

KTS

Spreader beam, adjustable

Dimensions KTS

KTS-HE

H-frame spreader beam

KTS-H

H-frame spreader beam

KTS

Spreader beam for box pallets

KTB

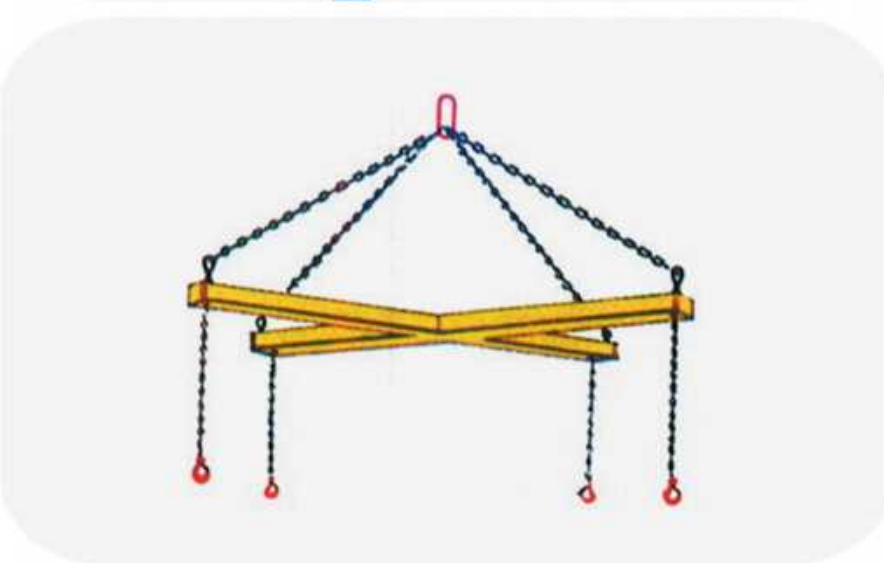
Spreader beam for Big-Bags

KTS-Z

Fork lift cross beam

KZH

Tine hook



## **INFO**

---

FOR OTHER KINDS OF PRODUCTS, PLEASE MAKE CONSULTATION TO OUR OFFICIAL SERVICE.

WE ARE HIGHLY VALUED FOR EVERY CUSTOMER'S NEED.

## Spreader beam range

Bulkier or heavier loads must be carried on multiple points to ensure safe weight distribution and less sagging. The extensive **KRC** range provides a vast choice of load capacities, working widths, adjustment ranges and hook types to cater for the great majority of applications. In addition to our quality-engineered, robust and cost-effective standard range, we can also provide special designs to meet individual, bespoke customer requirements.

Options include side welding hooks (so-called cow horns), that take rope loops or lifting bands' crane eye for carrying pipes. Rolls or rollers on two or more points; star crossbars for carrying cylindrical items, or transverse crossbars for four point suspension, a further version of the reliable, easy to use and safe **KRC** crane hook spreader beams.

Spreader beams can be used for a diverse range of shapes and designs, and can be individually designed to meet specific applications. The following illustrations provide a short overview of the many designs available. Suspension and load carrying variants can be easily combined with most designs.



## Suspension variants

### Eyelet suspension

**Standard suspension for use with single hooks according to DIN 15401**

Possible for defined load centre of gravity for symmetrical but also asymmetrical loads.



### Chain suspension

**To stabilise swinging movements**

Multitude of options in combination with our chain programme. Lifting ring for single hooks but also double hooks Shortening hooks allow the centre of gravity to be adjusted for asymmetrical loads.



### Internal bolt suspension

**To reduce the build height**

Fixed welded-on but also plug-in variants possible.



### Double eyelet suspension for two crane operation

**Allows the spreader beam to be used on two cranes at the same time**

Each suspension variant can be operated as a double suspension.



### Bracket suspension

**For use with double hooks according to DIN 15402**

## Load carrying variants

### Eyehooks

with forged safety latch

For use with any sling or sling points.



### Swivel hooks

Allows alignment of the hook to the sling point

Variants possible with plain-bearing mounted swivel (cannot be rotated under load) and also ball-bearing mounted swivel (can be rotated under load).



### Front welded-on hook

(cow horn with safety latch)

To reduce the height on single spreader beam



### Welded-on hooks

(cow horns with safety latch)

For use with two single-stranded or singly wrapped sling

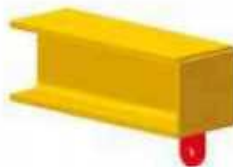
Also possible with adjusting bracket.



### Mounting eyelets

for fixed slings

With the mounting eyelets, the spreader beam can be combined with any slings from our programme.



### Centre hooks

For crane use if the crossbar is not required

With the centre hook there is no need to place and remove the spreader beam.

Variants possible as eyehooks or swivel hooks.





## KTS-E

### Spreader beam, non-adjustable

Capacity 1000 - 10000 kg

For the transport of symmetrical loads.

#### Features

- Lifting brackets for single hook according to DIN 15401
- Eyehooks with forged safety latch

#### Options

- Other capacities
- Working widths according customer requirements
- Accentral suspension for asymmetrical loads

#### Technical data KTS-E

Model	Art.-No.	Capacity kg	Working width Z mm	Hook mouth mm	Weight kg
KTS 1,0/1000 E	N53106201	1000	1000	23	23
KTS 2,0/1000 E	N53106202	2000	1000	23	25
KTS 3,0/1000 E	N53106203	3000	1000	30	28
KTS 5,0/1000 E	N53106204	5000	1000	38	41
KTS 7,5/1000 E	N53106205	7500	1000	42	50
KTS 10,0/1000 E	N53106206	10000	1000	42	61
KTS 1,0/1500 E	N53106211	1000	1500	23	31
KTS 2,0/1500 E	N53106212	2000	1500	23	33
KTS 3,0/1500 E	N53106213	3000	1500	30	41
KTS 5,0/1500 E	N53106214	5000	1500	38	64
KTS 7,5/1500 E	N53106215	7500	1500	42	74
KTS 10,0/1500 E	N53106216	10000	1500	42	90
KTS 1,0/2500 E	N53106221	1000	2500	23	46
KTS 2,0/2500 E	N53106222	2000	2500	23	69
KTS 3,0/2500 E	N53106223	3000	2500	30	88
KTS 5,0/2500 E	N53106224	5000	2500	38	106
KTS 7,5/2500 E	N53106225	7500	2500	42	148
KTS 10,0/2500 E	N53106226	10000	2500	42	181
KTS 1,0/3500 E	N53106231	1000	3500	23	77
KTS 2,0/3500 E	N53106232	2000	3500	23	118
KTS 3,0/3500 E	N53106233	3000	3500	30	138
KTS 5,0/3500 E	N53106234	5000	3500	38	167
KTS 7,5/3500 E	N53106235	7500	3500	42	235
KTS 10,0/3500 E	N53106236	10000	3500	42	272
KTS 1,0/5000 E	N53106241	1000	5000	23	163
KTS 2,0/5000 E	N53106242	2000	5000	23	189
KTS 3,0/5000 E	N53106243	3000	5000	30	223
KTS 5,0/5000 E	N53106244	5000	5000	38	295
KTS 7,5/5000 E	N53106245	7500	5000	42	372
KTS 10,0/5000 E	N53106246	10000	5000	42	478

Dimensions KTS-E

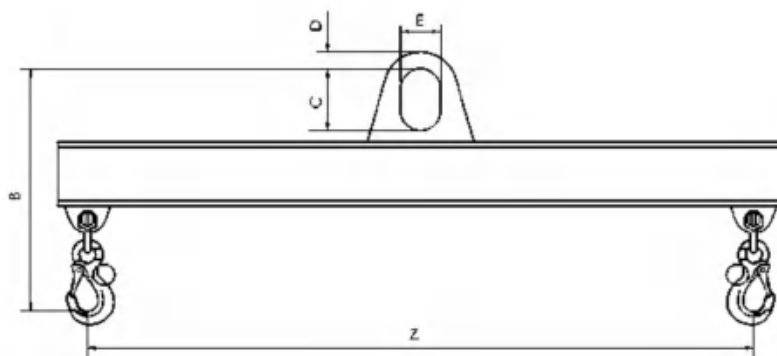
Model	KTS 1,0/1000 E	KTS 2,0/1000 E	KTS 3,0/1000 E	KTS 5,0/1000 E	KTS 7,5/1000 E	KTS 10,0/1000 E
B, mm	405	430	500	615	720	800
C, mm	110	135	160	180	200	260
D, mm	25	30	35	40	60	70
E, mm	60	75	90	100	130	130

Model	KTS 1,0/1500 E	KTS 2,0/1500 E	KTS 3,0/1500 E	KTS 5,0/1500 E	KTS 7,5/1500 E	KTS 10,0/1500 E
B, mm	405	430	520	635	740	820
C, mm	110	135	160	180	200	260
D, mm	25	30	35	40	60	70
E, mm	60	75	90	100	130	130

Model	KTS 1,0/2500 E	KTS 2,0/2500 E	KTS 3,0/2500 E	KTS 5,0/2500 E	KTS 7,5/2500 E	KTS 10,0/2500 E
B, mm	405	470	560	655	780	860
C, mm	110	135	160	180	200	260
D, mm	25	30	35	40	60	70
E, mm	60	75	90	100	130	130

Model	KTS 1,0/3500 E	KTS 2,0/3500 E	KTS 3,0/3500 E	KTS 5,0/3500 E	KTS 7,5/3500 E	KTS 10,0/3500 E
B, mm	435	490	580	695	800	880
C, mm	110	135	160	180	200	260
D, mm	25	30	35	40	60	70
E, mm	60	75	90	100	130	130

Model	KTS 1,0/5000 E	KTS 2,0/5000 E	KTS 3,0/5000 E	KTS 5,0/5000 E	KTS 7,5/5000 E	KTS 10,0/5000 E
B, mm	475	510	600	715	820	920
C, mm	110	135	160	180	200	260
D, mm	25	30	35	40	60	70
E, mm	60	75	90	100	130	130



**INFO**

The spreader beams can be combined with the different suspension types (see pages 1-2)





**KTS**  
**Spreader beam, adjustable**

Capacity 1000 - 25000 kg

For the transport of symmetrical and asymmetrical loads.

**Features**

- Lifting brackets for single hook according to DIN 15401
- Adjustment with grids
- Adjustable bracket with handle and swivel hook (cannot be rotated under load)

**Technical data KTS**

Model	Art.-No.	Capacity kg	Working width Z mm	Hook mouth mm	Weight kg
KTS 1,0/1500	N53106001	1000	700 - 1500	18	40
KTS 2,0/1500	N53106002	2000	700 - 1500	18	41
KTS 3,0/1500	N53106003	3000	700 - 1500	21	53
KTS 5,0/1500	N53106004	5000	700 - 1500	23	79
KTS 7,5/1500	N53106005	7500	700 - 1500	32	98
KTS 10,0/1500	N53106006	10000	700 - 1500	32	117
KTS 12,5/1500	N53106007	12500	700 - 1500	40	116
KTS 15,0/1500	N53106008	15000	700 - 1500	40	137
KTS 20,0/1500	N53106009	20000	700 - 1500	50	180
KTS 25,0/1500	N53106010	25000	700 - 1500	50	226
KTS 1,0/2500	N53106011	1000	1500 - 2500	18	58
KTS 2,0/2500	N53106012	2000	1500 - 2500	18	84
KTS 3,0/2500	N53106013	3000	1500 - 2500	21	105
KTS 5,0/2500	N53106014	5000	1500 - 2500	23	127
KTS 7,5/2500	N53106015	7500	1500 - 2500	32	178
KTS 10,0/2500	N53106016	10000	1500 - 2500	32	215
KTS 12,5/2500	N53106017	12500	1500 - 2500	40	198
KTS 15,0/2500	N53106018	15000	1500 - 2500	40	237
KTS 20,0/2500	N53106019	20000	1500 - 2500	50	287
KTS 25,0/2500	N53106020	25000	1500 - 2500	50	342
KTS 1,0/3500	N53106021	1000	1700 - 3500	18	95
KTS 2,0/3500	N53106022	2000	1700 - 3500	18	137
KTS 3,0/3500	N53106023	3000	1700 - 3500	21	162
KTS 5,0/3500	N53106024	5000	1700 - 3500	23	228
KTS 7,5/3500	N53106025	7500	1700 - 3500	32	278
KTS 10,0/3500	N53106026	10000	1700 - 3500	32	317
KTS 12,5/3500	N53106027	12500	1700 - 3500	40	295
KTS 15,0/3500	N53106028	15000	1700 - 3500	40	340
KTS 20,0/3500	N53106029	20000	1700 - 3500	50	451
KTS 25,0/3500	N53106030	25000	1700 - 3500	50	512
KTS 1,0/5000	N53106031	1000	2000 - 5000	18	190
KTS 2,0/5000	N53106032	2000	2000 - 5000	18	219
KTS 3,0/5000	N53106033	3000	2000 - 5000	21	260
KTS 5,0/5000	N53106034	5000	2000 - 5000	23	372
KTS 7,5/5000	N53106035	7500	2000 - 5000	32	423
KTS 10,0/5000	N53106036	10000	2000 - 5000	32	531
KTS 12,5/5000	N53106037	12500	2000 - 5000	40	449
KTS 15,0/5000	N53106038	15000	2000 - 5000	40	568
KTS 20,0/5000	N53106039	20000	2000 - 5000	50	691
KTS 1,0/8000	N53106040	1000	3000 - 8000	18	342
KTS 2,0/8000	N53106041	2000	3000 - 8000	18	458
KTS 3,0/8000	N53106042	3000	3000 - 8000	21	547
KTS 5,0/8000	N53106043	5000	3000 - 8000	23	788
KTS 7,5/8000	N53106044	7500	3000 - 8000	32	883
KTS 10,0/8000	N53106045	10000	3000 - 8000	32	1319
KTS 12,5/8000	N53106046	12500	3000 - 8000	40	979
KTS 15,0/8000	N53106047	15000	3000 - 8000	40	1046

Dimensions KTS

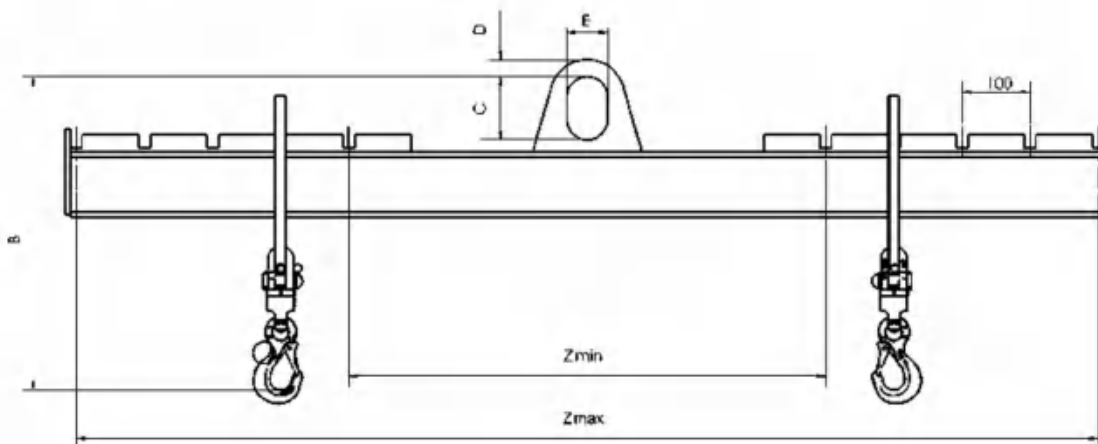
Model	KTS 1,0/1500	KTS 2,0/1500	KTS 3,0/1500	KTS 5,0/1500	KTS 7,5/1500	KTS 10,0/1500	KTS 12,5/1500	KTS 15,0/1500	KTS 20,0/1500	KTS 25,0/1500
B, mm	440	470	570	655	740	835	865	910	1020	1230
C, mm	110	135	160	180	200	260	260	260	260	300
D, mm	25	30	35	40	60	70	75	85	90	100
E, mm	60	75	90	100	130	130	140	140	160	160

Model	KTS 1,0/2500	KTS 2,0/2500	KTS 3,0/2500	KTS 5,0/2500	KTS 7,5/2500	KTS 10,0/2500	KTS 12,5/2500	KTS 15,0/2500	KTS 20,0/2500	KTS 25,0/2500
B, mm	440	505	610	675	785	880	915	955	1060	1255
C, mm	110	135	160	180	200	260	260	260	260	300
D, mm	25	30	35	40	60	70	75	85	90	100
E, mm	60	75	90	100	130	130	140	140	160	160

Model	KTS 1,0/3500	KTS 2,0/3500	KTS 3,0/3500	KTS 5,0/3500	KTS 7,5/3500	KTS 10,0/3500	KTS 12,5/3500	KTS 15,0/3500	KTS 20,0/3500	KTS 25,0/3500
B, mm	440	530	635	715	810	905	935	980	1115	1300
C, mm	110	135	160	180	200	260	260	260	260	300
D, mm	25	30	35	40	60	70	75	85	90	100
E, mm	60	75	90	100	130	130	140	140	160	160

Model	KTS 1,0/5000	KTS 2,0/5000	KTS 3,0/5000	KTS 5,0/5000	KTS 7,5/5000	KTS 10,0/5000	KTS 12,5/5000	KTS 15,0/5000	KTS 20,0/5000
B, mm	495	550	655	740	830	950	980	1025	1155
C, mm	110	135	160	180	200	260	260	260	260
D, mm	25	30	35	40	60	70	75	85	90
E, mm	60	75	90	100	130	130	140	140	160

Model	KTS 1,0/8000	KTS 2,0/8000	KTS 3,0/8000	KTS 5,0/8000	KTS 7,5/8000	KTS 10,0/8000	KTS 12,5/8000	KTS 15,0/8000
B, mm	515	590	700	785	895	1010	1045	1085
C, mm	110	135	160	180	200	260	260	260
D, mm	25	30	35	40	60	70	75	85
E, mm	60	75	90	100	130	130	140	140



**INFO**

The spreader beams can be combined with the different suspension types (see pages 1-2)



**KTS-HE**  
H-frame spreader beam

Capacity up to 10000 kg  
For the transport of symmetrical loads.

**Features**

- Lifting brackets for single hook according to DIN 15401
- Eyehooks with forged safety latch

**Option**

- Accentral suspension for asymmetrical loads

**INFO**

Capacity, working length and width designed on individual customer requirements.

The spreader beams can be combined with the different suspension types(see pages 1-2)

**Technical questionnaire**

Capacity \_\_\_\_\_ kg  
Working length \_\_\_\_\_ mm  
Working width \_\_\_\_\_ mm



**KTS-H**  
H-frame spreader beam

Capacity up to 25000 kg  
For the transport of symmetrical and asymmetrical loads.

**Features**

- Lifting brackets for single hook according to DIN 15401
- Adjustment with grids
- Adjustable bracket with handle and swivel hook (cannot be rotated under load)

**INFO**

Capacity, working length and width designed on individual customer requirements.

The spreader beams can be combined with the different suspension types (see pages 1-2)

**Technical questionnaire**

Capacity \_\_\_\_\_ kg  
Working length, min. \_\_\_\_\_ mm  
Working length, max. \_\_\_\_\_ mm  
Working width, min. \_\_\_\_\_ mm  
Working width, max. \_\_\_\_\_ mm

**KTS**

**Spreader beam for box pallets**

**Capacity 1000 - 3000 kg**

Box pallets with DIN 15155 specifications, are usually moved around with a forklift, but are so sturdy that they can be picked up and transported with a spreader beam grab and an overhead crane hooked up to the top of the box pallet's frame.

Thanks to these spreader beams, the shipping and receiving area is no longer entirely dependent on floor-level material handling equipment such as forklifts.

The version designed for the individual transport of box pallets is equipped with two fixed yokes and two pivoted ones, interconnected with a control bar. The load tackling gear is fixed and unfixed by only one person.

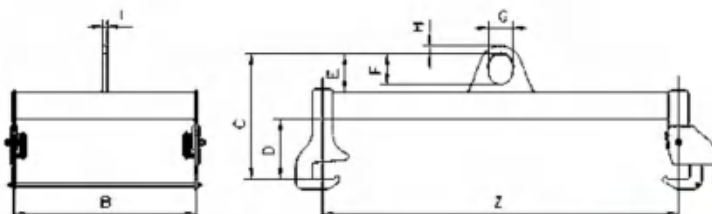


**Technical data KTS**

Model	Art.-No.	Capacity kg	Weight kg
KTS 1,0/1240 - 810	N53207001	1000	38
KTS 2,0/1240 - 810	N53207002	2000	61
KTS 3,0/1240 - 810	N53207003	3000	80

**Dimensions KTS**

Model	KTS 1,0/1240 - 810	KTS 2,0/1240 - 810	KTS 3,0/1240 - 810
B, mm	600	600	600
C, mm	410	495	520
D, mm	195	215	215
E, mm	125	180	205
F, mm	100	150	170
G, mm	80	100	130
H, mm	28	30	40
I, mm	15	20	25
Z, mm	1175	1175	1175





**KTB**  
**Spreader beam for Big-Bags**

Capacity 1000 - 2000 kg

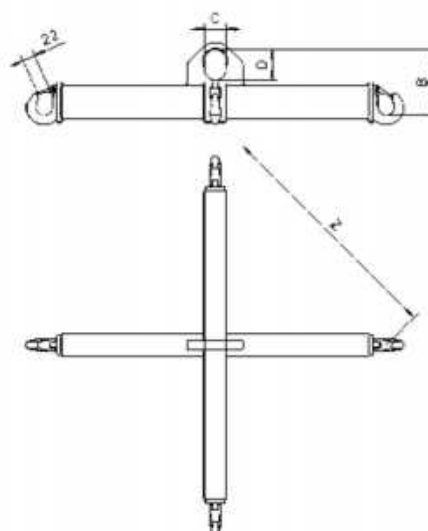
This four-point spreader beam in a fixed frame construction with weld-on hooks and safety latch is designed for lifting and transporting of Big-Bags.

**Technical data KTB**

Model	Art.-No.	Capacity kg	Working width Z mm	Weight kg
KTB 1.0/1090 - 1090	N53156300	1000	750 - 800	27
KTB 1.0/1320 - 1320	N53156301	1000	900 - 970	33
KTB 2.0/1090 - 1090	N53156302	2000	750 - 800	42
KTB 2.0/1320 - 1320	N53156303	2000	900 - 970	44

**Dimensions KTB**

Model	KTB 1.0/1090 - 1090	KTB 1.0/1320 - 1320	KTB 2.0/1090 - 1090	KTB 2.0/1320 - 1320
B, mm	210	210	240	240
C, mm	60	60	75	75
D, mm	110	110	135	135



**KTS-Z**  
Fork lift cross beam

Capacity 2000 - 3150 kg

The model KTS-Z with two bags is used for forklift tines and has one centered, pivoting eye hook (do not pivot under load). The fork lift cross beam is fastened with two spindles and ensures safety while lifting.



Technical data KTS-Z

Model	Art.-No.	Capacity kg	Height B mm	Dim. C mm	Dim. D mm	Dim. E mm	Weight kg
KTS 2,0/Z	N4300000170	2000	246	70	160	150	14.0
KTS 3,15/Z	N4300015315	3150	274	84	160	184	19.0

**KZH**  
Tine hook

Capacity 1500 - 5000 kg

For fastening hoisting equipment and loads to single forklift tines. The KZH are pushed onto the forklift tines and are fastened with two spindles. The pivoting as well as swivelling hook with safety latch ensures safety while lifting.



Technical data TZH

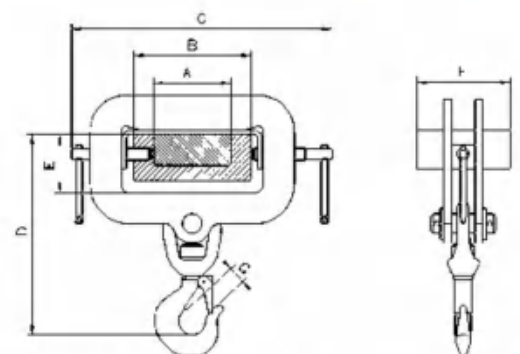
Model	Art.-No.	Capacity kg	Weight kg
KZH 1,5/150	N55100001	1500	7.2
KZH 3,0/150	N55100002	3000	10.8
KZH 5,0/150	N55100004	5000	17.3

Dimensions TZH

Model	KZH 1,5/150	KZH 3,0/150	KZH 5,0/150
A, mm	100	100	100
B, mm	150	150	150
C min., mm	310	350	350
C max., mm	360	400	400
D, mm	260	270	295
E, mm	74	74	74
F, mm	120	120	120
G, mm	25	28	34

**INFO**

Attention must be paid to the working load limit of the single forklift tines.



KZH, swivel hooks, pivoting and swivelling

Otherwise, we can provide you with more customizations parts.

Contact us for more info:

