

X3 Series Intelligent Servo Wire Rope Hoist



Product Features

- ◆ It adopts steel wire rope structure to replace chain structure to achieve higher precision requirements and faster speed.
- ◆ The system has soft limit, reducing the risk of collision and providing flexible working range.
- ◆ The fastest speed can reach 30m/min. The slowest speed can reach 0.05m/min. Ensuring operator to move precise instruments and fragile products accurately and smoothly.
- ◆ Wrapping multiple steel wire ropes into thick ropes, which avoids rotation so it is more stable. It equipped with planetary reducer, so it can reduce noise during operation.

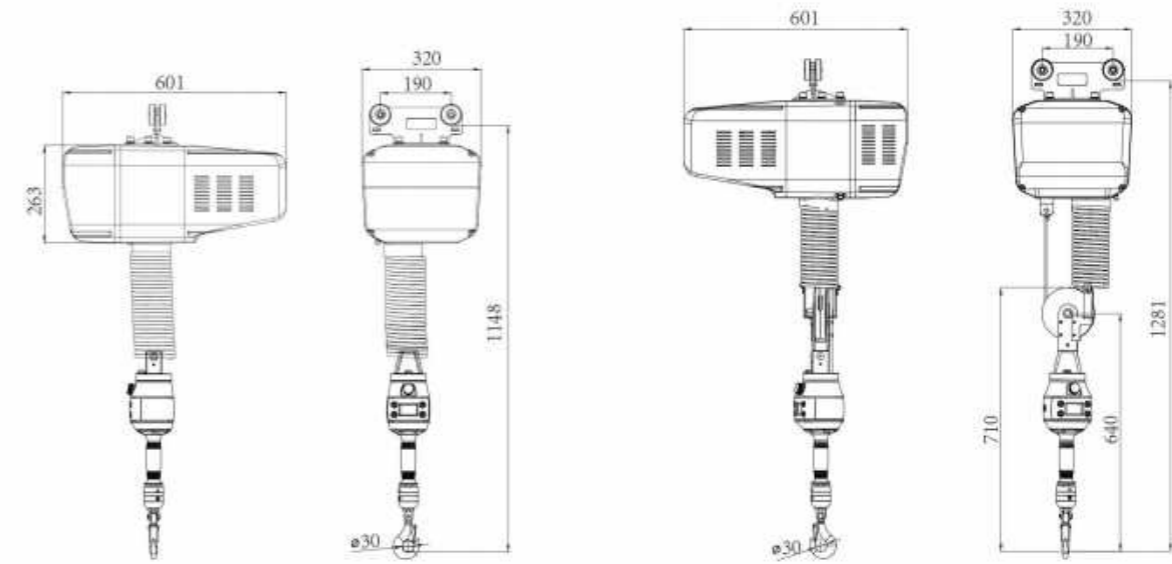
Product Specifications and Dimensions

Item	Model	X3S010	X3S020	X3S030	X3S060
Maximum load(kg)		100	200	300	600 (Double rope)
* Maximum lifting speed-- handle mode(m/min)		35	29	25	10
* Maximum lifting speed-- suspension mode(m/min) Optional		25	25	18	9
Rated power(Kw)		0.8	0.8	1.1	1.1
Default itinerary(m)		2.5	2.5	2.5	1.6
Control mode		Coaxial pressure handle			
Self Weight(Kg)		66	66	66	68
Voltage		standard 220V(optional 380V)			
Working level of the organization		3m/M6	3m/M6	3m/M6	2m/M5
Ambient temperature (non-condensing)		-10°C-55°C			

*1. The speed data is for reference only, based on the product nameplate;
*2. The fastest and slowest speed can be customized according to needs.

Note: The above data is for selection reference only, and the actual data based on the product nameplate.

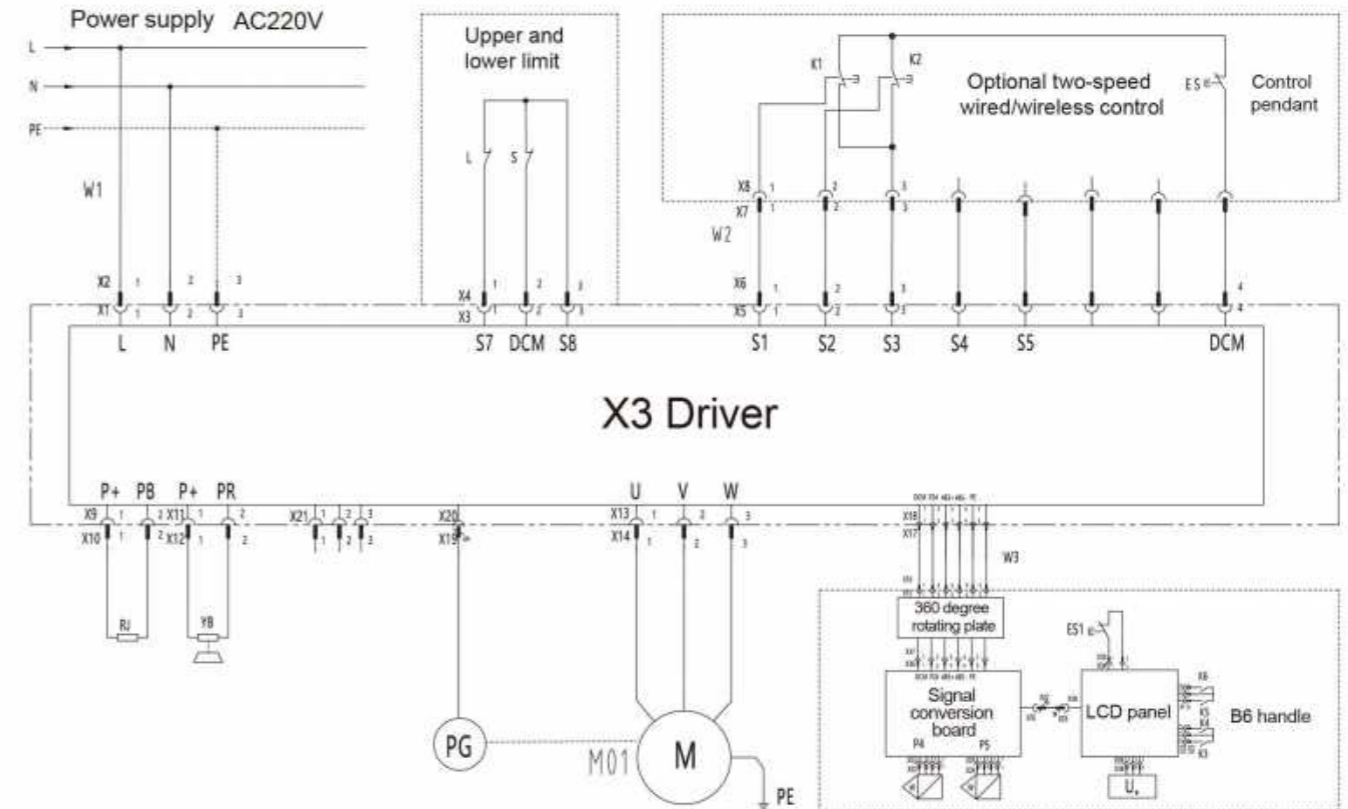
Product Specifications and Dimensions



X3S010/X3S020/X3S030 series product size

X3S060 series product size

Wiring Diagram



Note: For reference only, the actual line is subject to the product manual.

Innovation Leads The Future

Controller

1. Accurate positioning: Zero-speed servo function, lifting the work pieces smoothly, with a speed control ratio of up to 1:1000. And a minimum lifting speed can achieve 0.05m/min (zero speed start), which makes it easier to control the work pieces without vibration and noise.
2. Wide speed servo range and efficient operation: When unloaded or below 10% of the rated load, can reach the fastest lifting (1.9 times higher than the normal speed)
3. Diverse interfaces adapt to various control signal, which is flexible.

Encoder

1. Adopting a high-resolution magnetic encoder with fast response rate.
2. Long life.
3. High control accuracy, achieving precise positioning.

Special Drive Cover

1. Adopting intergrate aluminum die-casting technology. This is used for the assembly of driver modules, allowing the driver modules to come together. It can improve heat dissipation efficiency and increases product stability.
2. Dustproof, waterproof, and easy to dissipate heat.
3. Protection level up to IP55.

Status Display Screen

Display the current operating speed (n.nn m/min), fault status and other information in real time.

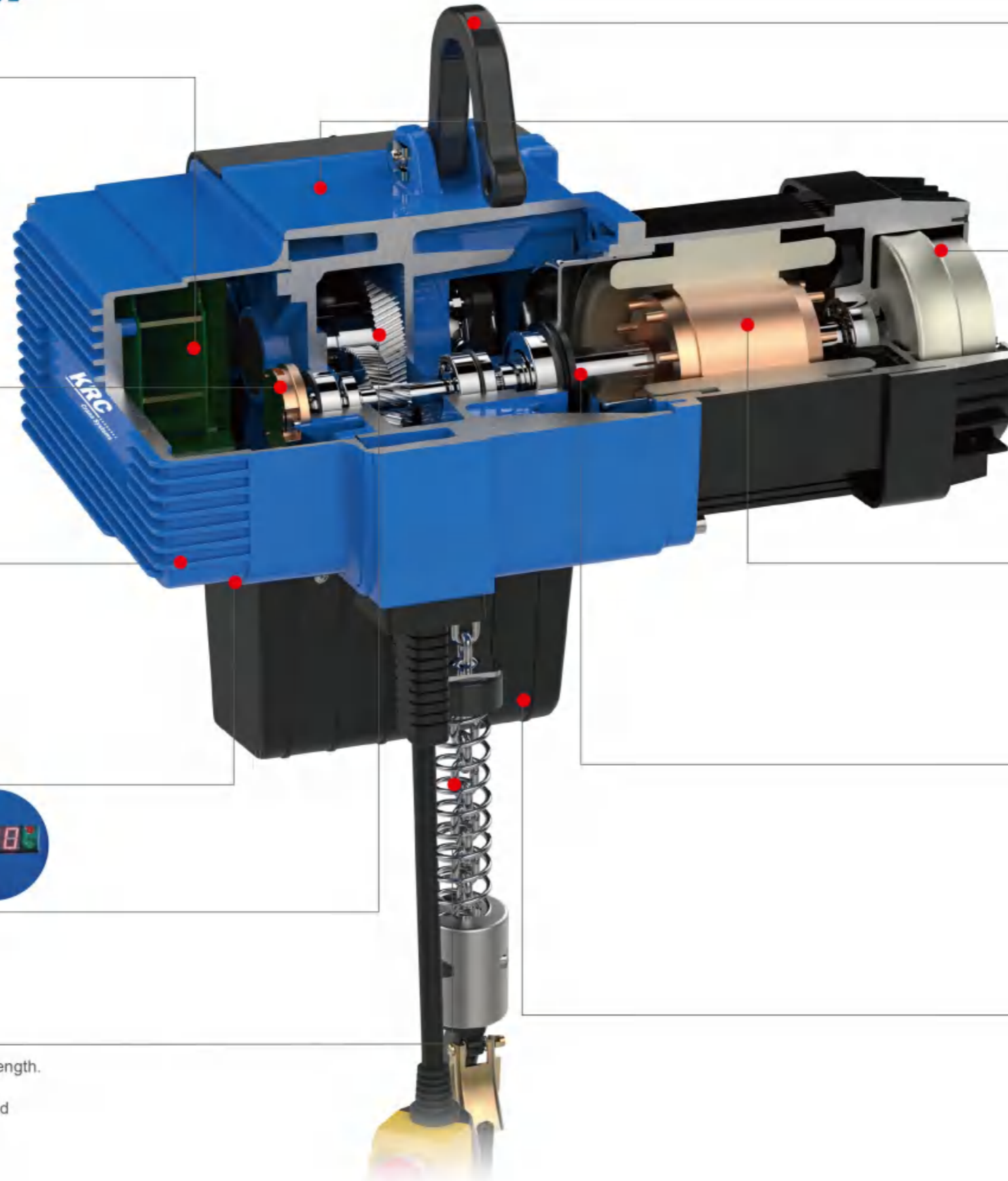


Gearbox

All shift position in the gearbox are engaged with helical gears. So noise is effectively reduced. And Operation is smooth. Product life is extended.

Round Steel Chain

1. High strength and aging resistant materials with high surface strength.
2. After special surface treatment to prevent rust.
3. Can select additional rust protection, suitable for food industry and extreme dust environments.



Hange

Articulated suspension and smaller hook size C, which can optimize headroom.

Shell

The sturdy and lightweight Aluminum alloy shell adopts modern industrial design.

Electromagnetic Brake

1. Fully utilizing the characteristics of servo controlled electronic brakes. At the same time, it adopts electromagnetic brake, no shaking during the lifting process, ensuring smooth operation and safe braking.
2. The combination of electronic brake and electromagnetic brake can fully reduce the wear of the brake pads. The life of the electromagnetic brake and the entire equipment has been extended.

Servo Motor

1. Specially designed servo motor for lifting, which can achieve lifting at zero speed. (under rated load state) and accurately controlling the speed.
2. Without fan, ample power margin.

Direct Connection Structure

1. Adopting a direct connection structure, there will be no slippage and ensuring control precision.
2. Through special algorithms of servo control, electronic clutch technology is implemented to provide reliable protection against overload situations.

Chain box

- 1.1. Articulated installation, using highly impact resistant plastic material.
2. Metal chain box, suitable for larger hook travel.

CASES STUDY



**Installation Solution
Of Folding Jib Crane**



**Installation Solution
Of Jib Crane**



**Workstation Crane
Installation Solution**

Please Contact Us for More Information

CHENGDU KARUI LIFTING EQUIPMENT CO., LTD.

Tel/Wechat/Whatsapp: +86 136 8832 4315

Email: carolduan@krccranes.com

Website: www.krccranes.com

ADD: A702, Creative Center, OCT, Jinniu District, Chengdu, China



Wechat



Whatsapp