

## TTS-E Spreader beam, non-adjustable

Capacity 1000 - 10000 kg

For the transport of symmetrical loads

### Features

- Lifting brackets for single hook according to DIN 15401
- Eyehooks with forged safety latch

### Optional

- Other capacities
- Working widths according customer requirements
- Accentral suspension for asymmetrical loads

### Technical data TTS-E

Model	Art.-No.	Capacity kg	Working width Z mm	Hook mouth mm	Weight kg
TTS 1,0/1000 E	N53106201	1000	1000	23	23
TTS 2,0/1000 E	N53106202	2000	1000	23	25
TTS 3,0/1000 E	N53106203	3000	1000	30	28
TTS 5,0/1000 E	N53106204	5000	1000	38	41
TTS 7,5/1000 E	N53106205	7500	1000	42	50
TTS 10,0/1000 E	N53106206	10000	1000	42	61
TTS 1,0/1500 E	N53106211	1000	1500	23	31
TTS 2,0/1500 E	N53106212	2000	1500	23	33
TTS 3,0/1500 E	N53106213	3000	1500	30	41
TTS 5,0/1500 E	N53106214	5000	1500	38	64
TTS 7,5/1500 E	N53106215	7500	1500	42	74
TTS 10,0/1500 E	N53106216	10000	1500	42	90
TTS 1,0/2500 E	N53106221	1000	2500	23	46
TTS 2,0/2500 E	N53106222	2000	2500	23	69
TTS 3,0/2500 E	N53106223	3000	2500	30	88
TTS 5,0/2500 E	N53106224	5000	2500	38	106
TTS 7,5/2500 E	N53106225	7500	2500	42	148
TTS 10,0/2500 E	N53106226	10000	2500	42	181
TTS 1,0/3500 E	N53106231	1000	3500	23	77
TTS 2,0/3500 E	N53106232	2000	3500	23	118
TTS 3,0/3500 E	N53106233	3000	3500	30	138
TTS 5,0/3500 E	N53106234	5000	3500	38	167
TTS 7,5/3500 E	N53106235	7500	3500	42	235
TTS 10,0/3500 E	N53106236	10000	3500	42	272
TTS 1,0/5000 E	N53106241	1000	5000	23	163
TTS 2,0/5000 E	N53106242	2000	5000	23	189
TTS 3,0/5000 E	N53106243	3000	5000	30	223
TTS 5,0/5000 E	N53106244	5000	5000	38	295
TTS 7,5/5000 E	N53106245	7500	5000	42	372
TTS 10,0/5000 E	N53106246	10000	5000	42	478

Dimensions TTS-E

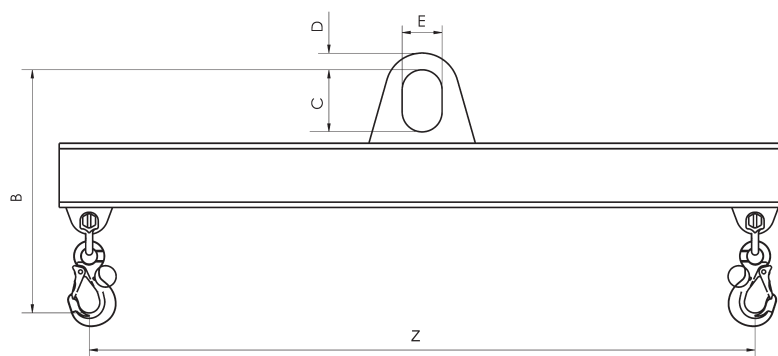
Model	TTS 1,0/1000 E	TTS 2,0/1000 E	TTS 3,0/1000 E	TTS 5,0/1000 E	TTS 7,5/1000 E	TTS 10,0/1000 E
B, mm	405	430	500	615	720	800
C, mm	110	135	160	180	200	260
D, mm	25	30	35	40	60	70
E, mm	60	75	90	100	130	130

Model	TTS 1,0/1500 E	TTS 2,0/1500 E	TTS 3,0/1500 E	TTS 5,0/1500 E	TTS 7,5/1500 E	TTS 10,0/1500 E
B, mm	405	430	520	635	740	820
C, mm	110	135	160	180	200	260
D, mm	25	30	35	40	60	70
E, mm	60	75	90	100	130	130

Model	TTS 1,0/2500 E	TTS 2,0/2500 E	TTS 3,0/2500 E	TTS 5,0/2500 E	TTS 7,5/2500 E	TTS 10,0/2500 E
B, mm	405	470	560	655	780	860
C, mm	110	135	160	180	200	260
D, mm	25	30	35	40	60	70
E, mm	60	75	90	100	130	130

Model	TTS 1,0/3500 E	TTS 2,0/3500 E	TTS 3,0/3500 E	TTS 5,0/3500 E	TTS 7,5/3500 E	TTS 10,0/3500 E
B, mm	435	490	580	695	800	880
C, mm	110	135	160	180	200	260
D, mm	25	30	35	40	60	70
E, mm	60	75	90	100	130	130

Model	TTS 1,0/5000 E	TTS 2,0/5000 E	TTS 3,0/5000 E	TTS 5,0/5000 E	TTS 7,5/5000 E	TTS 10,0/5000 E
B, mm	475	510	600	715	820	920
C, mm	110	135	160	180	200	260
D, mm	25	30	35	40	60	70
E, mm	60	75	90	100	130	130



INFO

The spreader beams can be combined with the different suspension types, see pages 216 - 217.