

Precision in Motion, Safety in Load!

CHENGDU KARUI LIFTING EQUIPMENT CO., LTD.

Tel/Wechat/Whatsapp: +86 136 8832 4315

Email: carolduan@krccranes.com

Website: www.krccranes.com

ADD: A702, Creative Center, OCT, Jinniu District, Chengdu, China



Wechat



Whatsapp



Applicable Models



**RAIL CRANE
JIB CRANE
GANTRY CRANE
CLEAN ROOM**

PRODUCT CATALOGUE

ABOUT US

Chengdu Karui Lifting Equipment Co., Ltd. was founded in 2011. It is a professional enterprise engaged in the design, manufacture, sales, installation and maintenance of various lifting equipment, as well as the supply of all kinds of spare parts.

Relying on long-term and in-depth cooperative production bases, the company has established a complete whole-process system covering product design, system R&D, production and processing, and quality control. It has long been committed to the design and delivery of industrial-grade lifting and handling solutions for multiple application scenarios.

Meanwhile, KRC has long acted as the general agent and strategic partner of world-renowned brands such as YALE and STAHL in China.

With more than a decade of development, the company has served over one thousand enterprises across a wide range of industries, including but not limited to iron and steel smelting, non-ferrous metal processing, automobile manufacturing, aircraft manufacturing, chemical industry, papermaking, general manufacturing, construction, nuclear industry, military industry, offshore engineering, entertainment performance and cultural exhibition.

Some of our products are exported to the United States, the United Kingdom, Spain, Japan, Saudi Arabia, the UAE, Chile, Argentina, France, Italy, Russia, Zambia, Angola, the Philippines, Israel, Canada, Norway, Brazil and other countries.

With professional technical expertise, strong design capability, high-standard production technology and sincere service, Karui Lifting has supplied tens of thousands of equipment to various industries and won widespread recognition and high praise from customers worldwide.



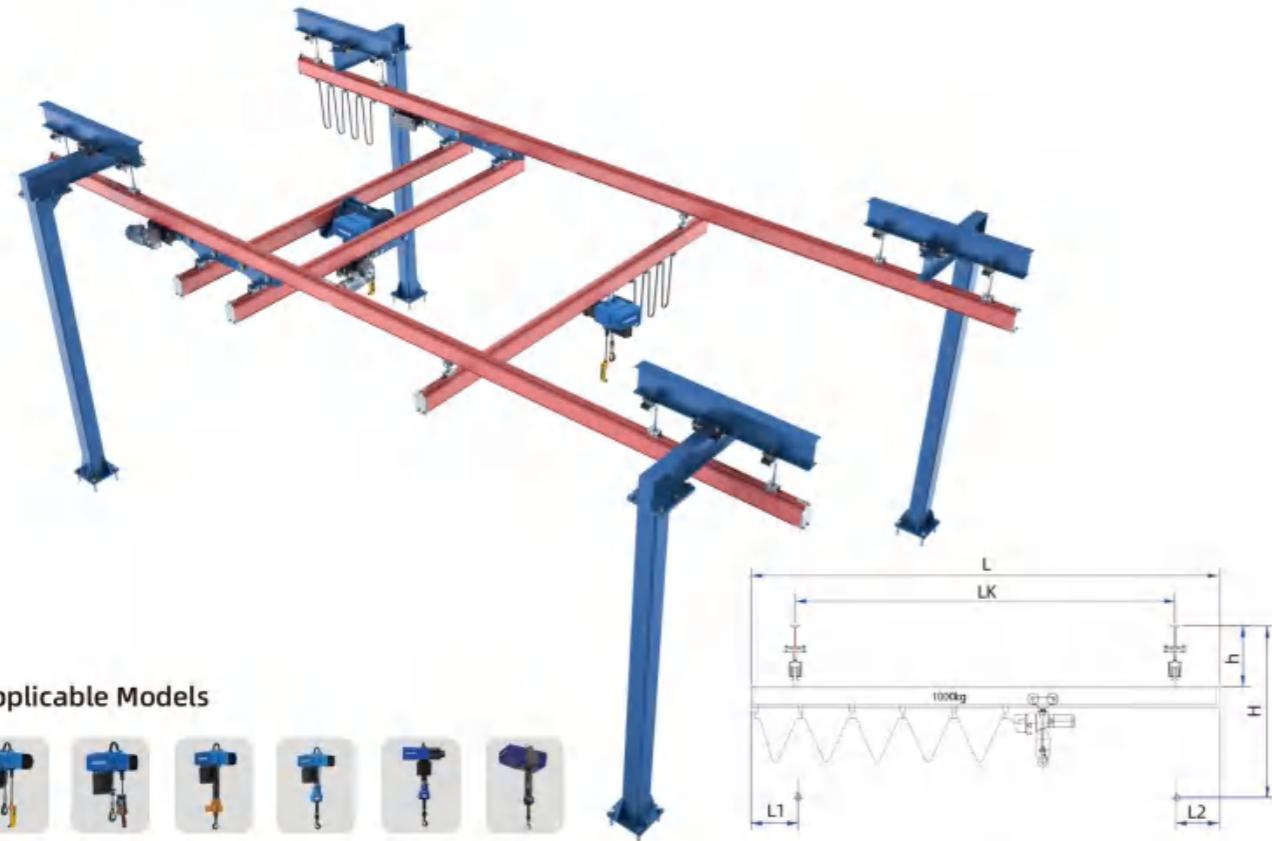
CONTENTS

<u>KBK RAIL CRANE</u>	<u>01</u>
<u>ALUMINUM RAIL CRANE</u>	<u>02</u>
<u>JIB CRANE</u>	<u>03</u>
<u>FOLDING JIB CRANE</u>	<u>06</u>
<u>MOBILE GANTRY CRANE</u>	<u>09</u>
<u>CLEAN ROOM TRAVELLING TYPE</u>	<u>10</u>
<u>CASES STUDY</u>	<u>11</u>



CONTENTS

KBK RAIL CRANE



Applicable Models

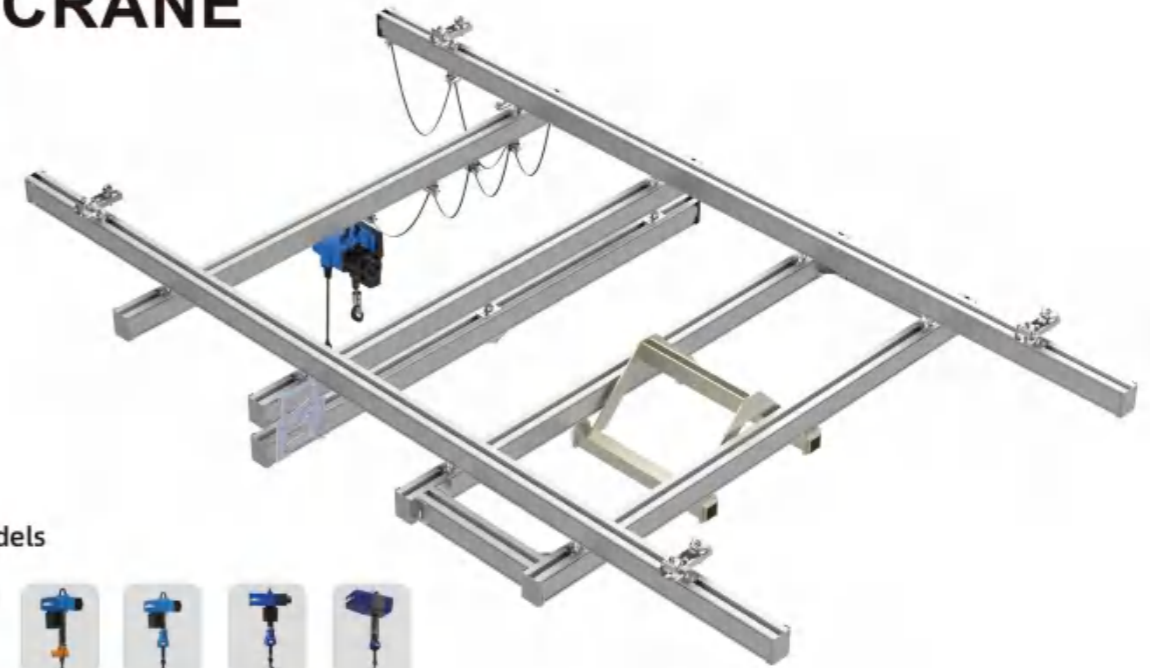


KBK flexible light crane includes monorail, single beam double beam, telescopic beam and other types of cranes lifting weight is 0.125t-2t to adapt to a very wide range especially suitable for modern production transmission line, crane system is light and flexible, good reliability, high stability, all parts are standard modules. It can ensure high quality and large quantity production. KBK profile and each standard module can be used with bolt connection, easy to install, economical and practical, can save the space and area of the factory, so as to reduce energy consumption, improve enterprise efficiency. KBK system can be manually operated, but also can achieve automatic and semi-automatic operation.

Technical Parameters

Capacity(kg)		125	250	500	1000	2000
Span(mm)	LK	8500	7500	6000	5000	4000
total length(mm)	L	9000	8000	7000	6000	5000
height (mm)	H	808	878	948	1100	1200
	h	335	335	335	365	365
Hanging(mm)	L1	470	470	525	585	645
	L2	100	100	100	250	250
Travelling System	Hoist trolley	Manual/Electric drive				
	End carriage	Manual/Electric drive				
Whole machine working level		A4/A5				

ALUMINUM RAIL CRANE







Applicable Models



Combined aluminum alloy rail crane, the maximum load can be up to 2000kg. The overall modular design, ergonomic, light weight, high flexural strength and wear resistance. Relying on the anodized surface treatment and its own anti-corrosion, the product is very suitable for clean factories, fast working rhythm and high-precision processing conditions. The whole system is linked precisely, the parts run smoothly, the rolling resistance is small, and the mute effect is remarkable.

Rail Type

			
Single-rail type	Double-rail type	Single-beam type	Double-beam type
Suitable for material work stations for straight-line conveying	Suitable for material loading work stations for heavy straight-line conveying	Suitable for dead-angle-free coverage any position within the area	Suitable for large span and large loads work stations that cannot be met by a single girder

Aluminum Model Dimensions

Lifting Capacity(Kg)	Model	Span (m)	Height (m)	Longitudinal travel(m)
125	JZ-K-125	2-7	2.5-4	Customized
250	JZ-K-250			
500	JZ-K-500			
1000	JZ-K-1000			
2000	JZ-K-2000			

JIB CRANE



Applicable Models



Applicable Models



(can be used in combination with electric/manual trolley)

MSJ 360 Jib Crane

Maximum load 500kg, jib arm up to 6 meters, 360° rotating, limit stops can be added, lightweight manual operation. In most cases, it can be bolted directly to the ground without adding special foundation. Tapered roller bearings are used at the swivel to ensure that the jib is centered with the swivel to avoid unnecessary undulation of the jib.

Lifting Capacity (Kg)	Model	Lifting (m)	Arm Length (m)
125	JZ-A-125	2-3.5	2-4
250	JZ-A-250		
500	JZ-A-500		

I-beam Jib Crane

Maximum load 5000kg, arm length up to 6 meters, can realize electric rotation and manual rotation, using well-known brand rotary motor, installed on the ground, according to the span and weight to determine whether it is necessary to pre-buried to do the foundation.

Lifting Capacity (Kg)	Model	Height (m)	Arm Length (m)
500	JZ-B-500	2.5-6	2-6
1000	JZ-B-1000		
2000	JZ-B-2000		
3000	JZ-B-3000		
5000	JZ-B-5000		

FOLDING JIB CRANE



Aluminum Alloy Intelligent Jib Crane

Maximum load of 500 kg, arm length up to 4 m. 360° rotation, can be added limit stops, manual operation is light. The jib is made of aluminum alloy with anodized sandblasted track surface, suitable for clean environments or fast working conditions.

Lifting Capacity (Kg)	Model	Height (m)	Arm Length (m)
125	JZ-C-125	2-3.5	2-4
250	JZ-C-250		
500	JZ-C-500		



Mobile Intelligent Folding Jib Crane

Maximum load of 200kg, boom length up to 3 meters, 360° rotation, can be added limit stops, manual operation of lightweight, with removable counterweight base and legs, according to the need to adjust the use of the position of the car or hand push.

Lifting Capacity (Kg)	Model	Height (m)	Arm Length (m)
100	JZ-D-100	2-3	2-3
200	JZ-D-200		



Rear-mounted Intelligent Folding Jib Crane

Maximum load 300kg, arm length up to 4 meters (2m+2m), one arm 360° two arm 270° rotation, with adjustable damping block, with intelligent hoist, hand control and suspension, can be used with fixture.

Lifting Capacity (Kg)	Model	Height (m)	Arm Length (m)
100	JZ-E-100	2-3.5	2-4
200	JZ-E-200		
300	JZ-E-300		



Front-mounted Intelligent Folding Jib Crane

Maximum load 300kg, boom length up to 4m(2m+2m), one boom 360°, two boom 270°swivel, with adjustable damping block, flexible operation, accurate positioning.

Lifting Capacity (Kg)	Model	Height (m)	Arm Length (m)
100	JZ-F-100	2-3.5	2-4
200	JZ-F-200		
300	JZ-F-300		

MOBILE GANTRY CRANE



Applicable Models



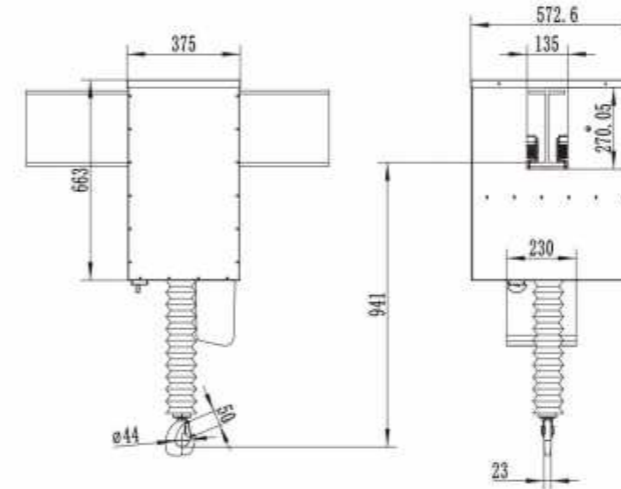
Gantry crane has 2 type which are adjustable height type and fixed height type. It is a cost-effective material handling solution. The product uses vertical square pipe, diagonal support and trough lower beam as the main structure to achieve stable material lifting and handling.

Features

- ◆ Lifting weight up to 2000kg, span up to 9m, beam height up to 6m.
- ◆ Non-abrasive polyurethane casters can achieve small rolling resistance and easy movement.
- ◆ Bolt the beam in the vertical direction to ensure that the beam will not fall off.

Lifting Capacity(Kg)	Model	Height (m)
125	JZ-G-125	2-6
250	JZ-G-250	
500	JZ-G-500	
1000	JZ-G-1000	
2000	JZ-G-2000	

CLEAN ROOM TRAVELLING TYPE



Product Specifications and Dimensions

Item name	Model	Servo	VFD
Rated load (Ton)		1T	1T
Standard speed (m/min)		0-8	1/8
Rated power (kW)		2.2	2.2
Power supply		AC380V	AC380V
Spec.of Load Chain(mm)		5.0	5.0
Working level		2m/M5	2m/M5

Note: The above data is for selection reference only, and the actual data based on the product nameplate.

CASES STUDY



**Installation Solution
Of Folding Jib Crane**



**Installation Solution
Of Jib Crane**



**Workstation Crane
Installation Solution**

Please Contact Us for More Information

CHENGDU KARUI LIFTING EQUIPMENT CO., LTD.

Tel/Wechat/Whatsapp: +86 136 8832 4315

Email: carolduan@krccranes.com

Website: www.krccranes.com

ADD: A702, Creative Center, OCT, Jinniu District, Chengdu, China



Wechat



Whatsapp