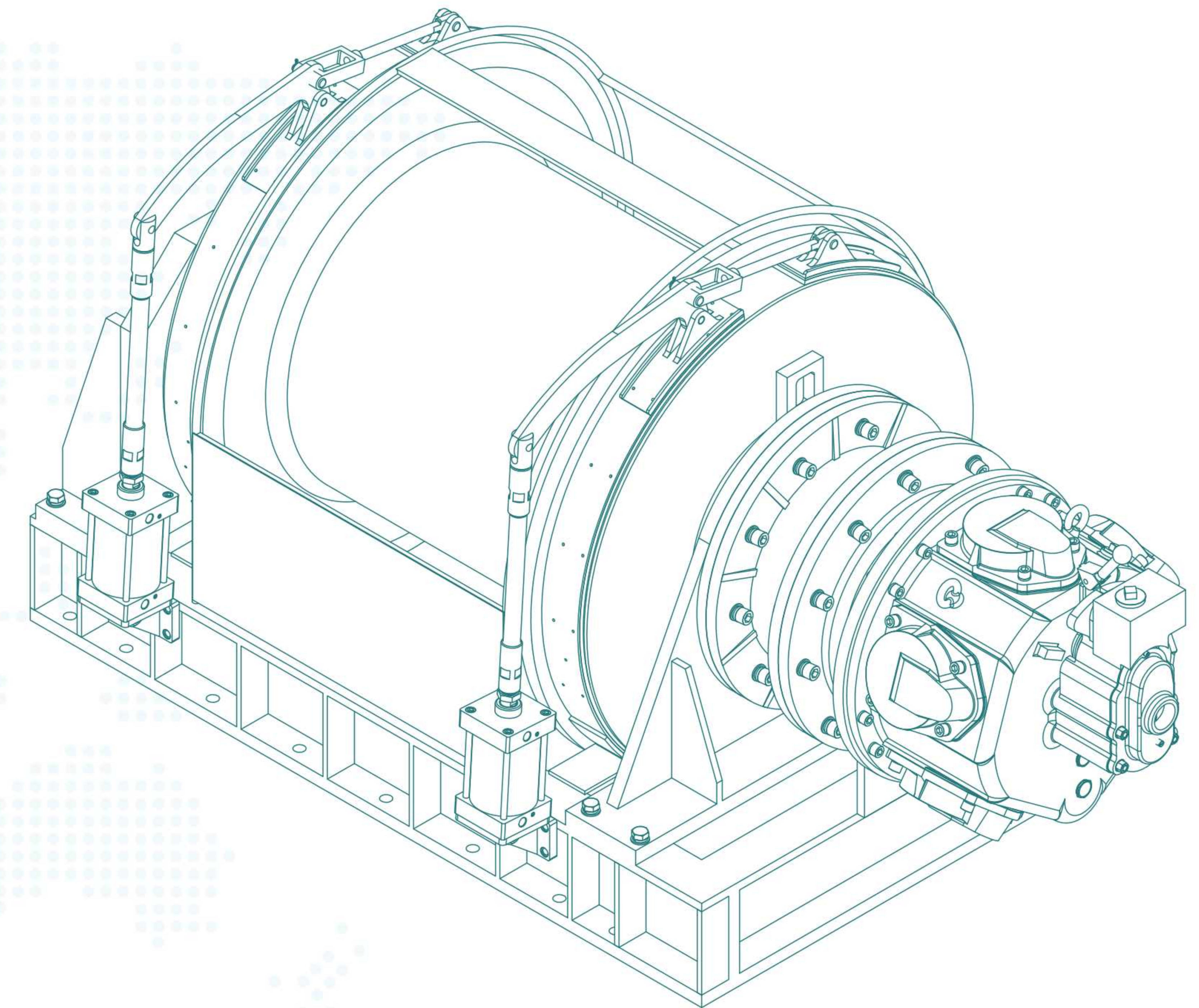


KRC
CRANE SYSTEMS

成都卡瑞起重设备有限公司
CHENGDU KARUI LIFTING EQUIPMENT CO.,LTD



PNEUMATIC WINCH



诚信经营 合作共赢 客户至上

Integrity Management · Win-Win Cooperation · Customer First

成都卡瑞起重设备有限公司
电话：0086- 13688324315
EMAIL: CAROL.DUAN@KARUIC.COM
WWW.KRCCRANES.COM/
微信/WHATSAPP: +86 136 8832 4315

COMPANY PROFILE

公司简介



企业环境

卡瑞起重设备创建于1998年，是一家专业从事各类起重设备生产、销售、安装、维修服务及各种配件供应的公司，是与德国最大的起重机专业制造厂——安博（ABUS）进行技术合作的基础上组建的现代化企业。

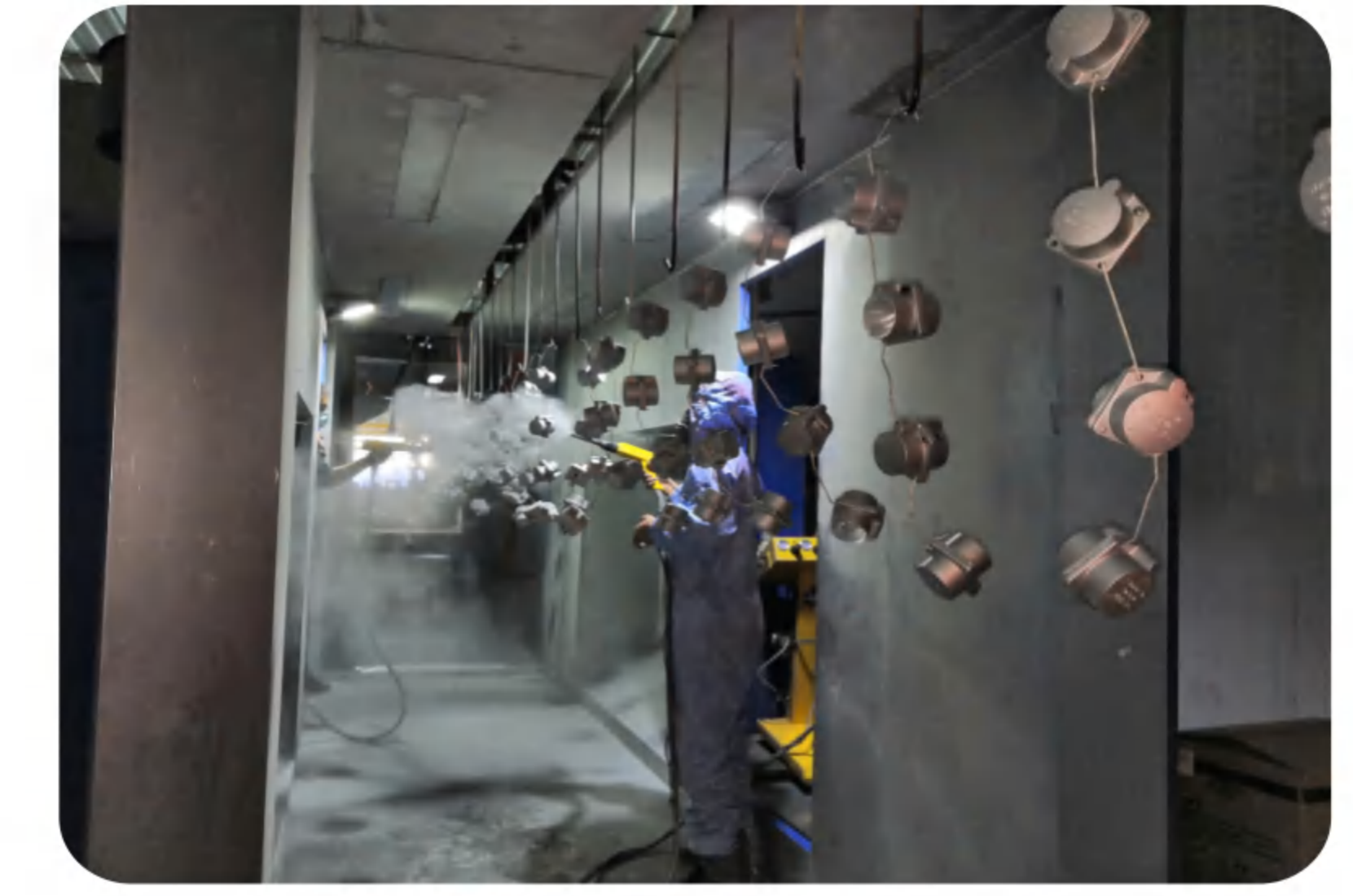
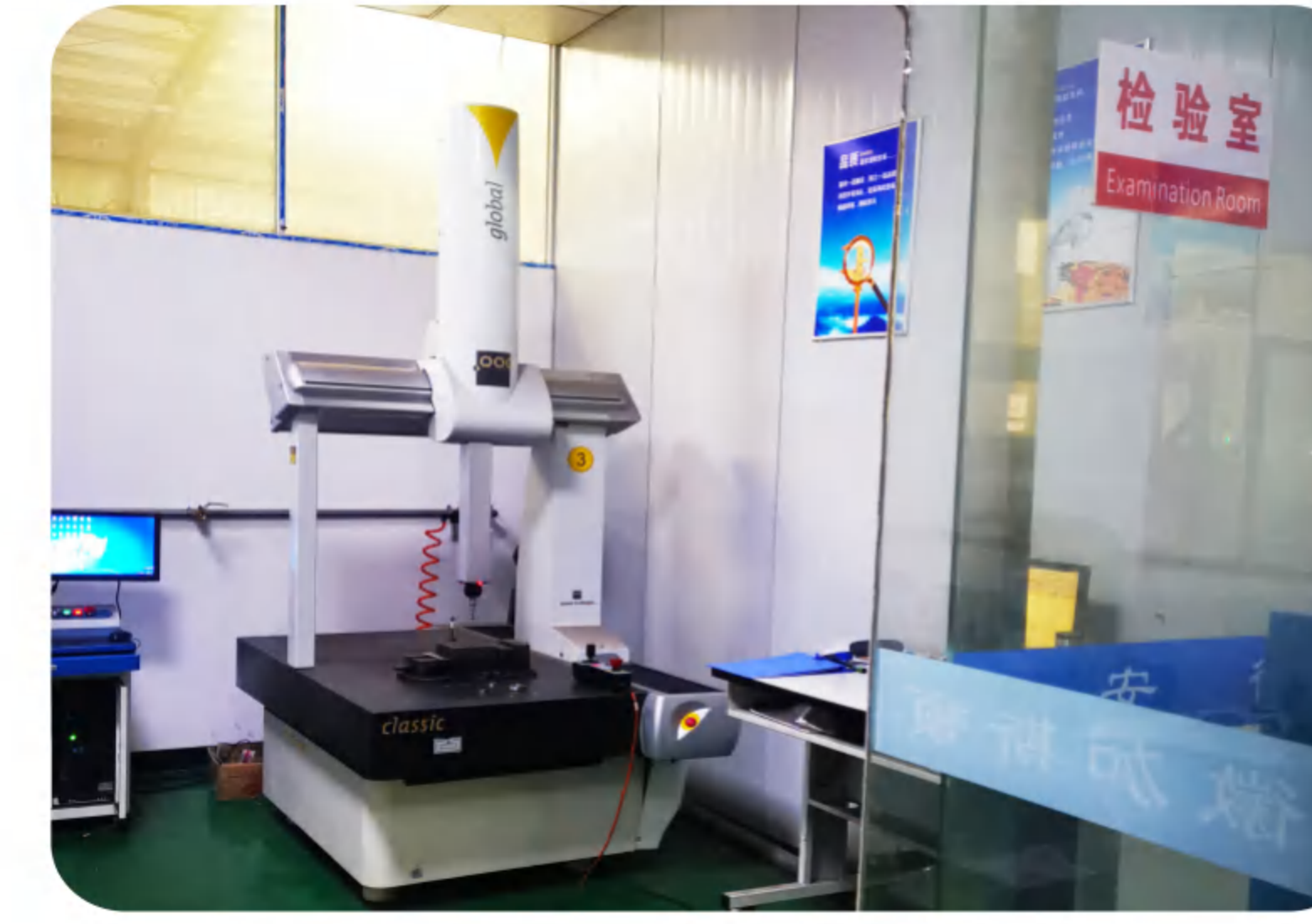
- 1.中国第一家致力于欧式起重机研究开发与制造的公司。
- 2.中国第一家致力于智能起重机研究开发与制造的公司。
- 3.中国第一批致力于工业级多场景应用型卷扬机研究开发与制造的公司。
- 4.目前公司拥有起重机方面的专利技术二十余项，是国家起重机设计手册编撰单位之一，也是起重机标准制订成员之一。
- 5.公司拥有中国起重机方面最高级别——A级制造和安装维修资质，
- 6.已生产的最大起重机为起重量360吨，跨度为34.5米，为上千家企业提供了多种型号，多种吨位、多种跨度的起重机，配套设计和安装工程等。
- 7.美国CMCO公司、德国DOLECO公司授权的地区总代理商，负责市场开拓、产品销售与安装维护。
- 8.公司服务的行业包括但不限于钢铁冶炼，有色金属加工，汽车制造，飞机制造，化工，造纸业，生产制造业，建筑业，核工业及军工行业等。

经过20余年的发展，卡瑞起重专业的技术知识，强大的设计能力，高标准的生产工艺和真诚的服务，为各行各业提供了数万台设备，受到了用户的广泛好评。

Karui Lifting Equipment (KRC) Co., Ltd, founded in 1998, has been given priority to the sales, installation, maintenance services, spare parts supply and the production of broad range of lifting equipments. Also, KRC group is a modernized enterprise formed on the basis of technical cooperation with ABUS, the largest professional crane manufacturer in Germany.

- 1.KRC is the very first company who dedicated to the research, development and manufacture of European style cranes and intelligent cranes in China.
- 2.KRC is one of the first batches of companies who indulge in the research, development and manufacture of industrial-grade multi-scene application winches.
- 3.Up to now, KRC has owned more than 20 patented technologies in cranes, so as to push us to be one of the compilation units of crane design manual and membership of Chinese Crane Standard Formulation.
- 4.Chinese supreme A-class manufacturing and installation and maintenance qualifications is provided by KRC.
- 5.KRC factory has made maximum double girder crane, which equipped with a lifting capacity of 360 tons and a span of 34.5 meters.
- 6.KRC offered thousands of enterprises with multiple models, tonnages and spans of cranes, coming with full-matched design, installation works and other professional services.
- 7.KRC is authorized to be the REGIONAL GENERAL AGENT by CMCO(US famous Machinery manufacturing company) and DOLECO(the Germany Giant). Aiming to broaden Chinese market and offer professional installation and maintenance service.
- 8.KRC serves industries including but not limited to iron and steel smelting, non-ferrous metal processing, automobile manufacturing, aircraft manufacturing, chemical industry, paper industry, manufacturing industry, construction industry, nuclear industry and military industry.

Leading a 20-year headway, KRC has already supplied tens of thousands of equipments for different trades and calling with its professional technical knowledge, eminent design capability, high level process and considerate service and received a wide favorable reception around our guests.



气动绞车

Pneumatic winch

概况与用途 OVERVIEW AND USE

QJH气动绞车，是以AMH活塞式气动马达为动力的单滚筒型式的绞车，该型绞车主要是供金属矿、煤矿等采掘矿场，建筑工程等部门拖运，或油田提升重物之用。

由于它具有体积小、重量轻、速度可调、易于搬运和快速安装等特点，因此，对于采掘矿场的井下作业更为适用，如在掘井、回采工作面的装载站上调度，拖运矿车和在井下的狭窄巷中提升、牵引工具、器械等重物。

QJH pneumatic winch, is AMH piston type air motor as the power of a single drum, hand-operated type of winch, the type of winch is mainly for metal mines, coal mines and other mining mines, construction engineering and other departments to haul, or oil fields to lift heavy objects.

Because it has the characteristics of small size, light weight, adjustable speed, easy handling and quick installation, it is more suitable for underground operations in mining mines, such as dispatching on loading stations of excavation and remining faces, hauling mine trucks and lifting and pulling heavy objects such as tools and instruments in narrow alleys underground.

结构与工作原理 STRUCTURE AND WORKING PRINCIPLE

QJH气动绞车系以空气为动力能源，通过活塞式气动马达和具有二组内外齿轮传动副的减速机构来驱动滚筒的运转，以达到其卷扬的目的。其主要结构包括气动马达、齿轮箱、滚筒和制动器等。

QJH pneumatic winch uses air as the power energy source to drive the drum operation through a piston air motor and a reduction mechanism with two sets of internal and external gear transmission pairs to achieve its purpose of winching. Its main structures include air motors, gearboxes, drums and brakes.

绞盘制动器 WINCH BRAKE

1) 手动鼓式制动器 (标准)

手动鼓式带式制动器可以通过按下手柄来施加，也可以通过拉起来释放。如果把手被完全按下，它应该锁定在那个位置，防止滚筒旋转，直到操作员松开为止。制动器必须保持适当调整，以保持所需的负载。

2) 脚踏制动器 (标准)

脚踏制动器，主要由刹车带、钢带和踏板等结构组成，其原理与气缸制动器相同，区别是脚踏制动器在绞车未工作时，刹车带松开刹车毂。当触动踏板时，刹车带与刹车毂抱死，刹车制动力随脚踏动力的增大而增大。脚踏制动器主要用于当提重物上升或者下降时，需要短暫停，即不需要操控配气阀，就能实现绞车的制动；当配气阀不工作时，重物依然上升或下降，触动制动器即可实现紧急制动。

3) 气缸鼓式制动器 (选配功能)

气缸制动器，由刹车带、钢带和自复位气缸等结构组成。刹车带固定在钢带内侧，钢带包络在绞车刹车毂外侧，其中钢带一端固定在绞车支架上，另一端与气缸的活塞连接。通过拧紧螺母调节刹车带与刹车毂之间的松紧度，可获得不同大小的制动力，当绞车开始运转时，压缩气体进入气缸，收缩活塞杆，使制动钢带、刹车带依次松开刹车毂，此时滚筒可以自由转动；而当气压过低或者发生断气时，气缸内压缩气体的压力下降，由于气缸内有自复位弹簧，使刹车带收紧，完成刹车。

长期暴露在腐蚀性环境中会导致带式制动器衬片粘附在制动鼓上。当绞车未运行且处于空载状态时，建议将带式制动器留在释放位置。

3) 自动盘式制动器 (可选功能)

自动盘式制动器是一种弹簧制动、空气释放式制动器。使用空气驱动的弹簧加载活塞，当马达运行时，制动器自动分离，当节气门返回空档位置时，制动器接合。通过制动器外壳的空气压力克服弹簧压力并移动活塞，从而释放制动器。

注：长期暴露在腐蚀性环境中会导致带式制动器衬片粘附在制动鼓上。当绞车未运行且处于空载状态时，建议将带式制动器留在释放位置。

1) Manual drum brake (standard)

Manual drum belt brakes can be applied by pressing the handle or released by pulling up. If the handle is fully pressed, it should lock in that position, preventing the drum from rotating until the operator releases it. The brakes must be properly adjusted to maintain the required load.

2) Foot brake (standard)

Foot brake, mainly composed of brake belt, steel belt and pedal and other structures, its principle is the same as the cylinder brake, the difference is that the foot brake is not working when the winch is not working, the brake belt releases the brake hub. When the pedal is touched, the brake belt and brake hub are locked, and the brake braking force increases with the increase of the pedal contact power. The foot brake is mainly used for short pause when the lifting object rises or falls, that is, the braking of the winch can be realized without controlling the gas distribution valve; When the valve is not working, the weight still rises or falls, and the brake can be touched to achieve emergency braking.

3) Cylinder drum brake (optional function)

Cylinder brake, composed of brake belt, steel belt and self-centering cylinder and other structures. The brake belt is fixed on the inside of the steel belt, and the steel belt is wrapped around the outside of the winch brake hub, in which one end of the steel belt is fixed on the winch bracket, and the other end is connected with the piston of the cylinder. By tightening the nut to adjust the tightness between the brake belt and the brake hub, different sizes of braking force can be obtained, when the winch starts to run, the compressed gas enters the cylinder, shrinks the piston rod, so that the brake steel belt and brake belt release the brake hub in turn, at this time the drum can rotate freely; When the air pressure is too low or the gas is cut off, the pressure of the compressed gas in the cylinder drops, and the brake belt is tightened due to the self-return spring in the cylinder to complete the brake.

Long-term exposure to corrosive environments can cause band brake linings to adhere to the brake drum. When the winch is not running and is in an unloaded state, it is recommended to leave the belt brake in the released position.

3) Automatic disc brake (optional function)

Automatic disc brakes are spring-braked, air-released brakes. Using an air-actuated, spring-loaded piston, the brakes automatically disengage when the motor is running, and the brakes engage when the throttle returns to the neutral position. The brake is released by overcoming the spring pressure and moving the piston by the air pressure of the brake housing.

Note: Long-term exposure to corrosive environments can cause band brake linings to adhere to the brake drum. When the winch is not running and is in an unloaded state, it is recommended to leave the belt brake in the released position.

钢丝绳 WIRE ROPE

在考虑钢丝绳要求时，实际工作载荷必须不仅包括静态载荷或静载荷，还包括由加速、减速和冲击载荷引起的载荷。还必须考虑安装前，请参阅产品安全信息手册了解安装的所有章节绞车钢丝绳卷筒的尺寸、滑轮和缠绕方法。钢丝绳的最大直径受钢丝绳锚固件的限制。建议钢丝绳结构为6X19或6X37IWRC右旋。

确保所有钢丝绳滑车和紧固件都有足够的安全系数，以在所有条件下处理所需的载荷。不要让钢丝绳接触锋利的边缘或急转弯，否则会损坏钢丝绳，请使用滑轮。

1. 不要将钢丝绳作为焊接的接地。将钢丝绳安装到卷筒上，以便进行过卷操作（正常应用）。
2. 不要将钢丝绳焊接到绞车卷筒上。
3. 切勿将钢丝绳越过锋利的边缘。
4. 使用导向轮时，必须与滚筒中心对齐。导向轮的直径必须至少是钢丝绳直径的18倍。
5. 始终在卷筒上保持至少三圈完整、紧密的钢丝绳。

When considering wire rope requirements, the actual working load must include not only static or static loads, but also loads caused by acceleration, deceleration and shock loads. It must also be considered that prior to installation, refer to the product safety information manual for all chapters of installation, winch wire rope drum size, pulleys and winding methods. The maximum diameter of the wire rope is limited by the wire rope anchor. The recommended wire rope structure is 6X19 or 6X37IWRC right-handed.

Ensure that all wire rope trolleys and fasteners have an adequate safety factor to handle the required loads in all conditions. Do not let the wire rope touch sharp edges or sharp turns, otherwise it will damage the wire rope, use pulleys.

1. Do not use the wire rope as the grounding for welding. Install the wire rope to the drum for overwinding operation (normal application).
2. Do not weld the wire rope to the winch drum.
3. Never cross the sharp edge of the wire rope.
4. When using the guide wheel, it must be aligned with the center of the drum. The diameter of the guide wheel must be at least 18 times the diameter of the wire rope.
5. Always keep at least three turns of a complete and tight wire rope on the drum.

润滑 LUBRICATION

为确保绞车继续正常运行，所有需要润滑的点必须按照每个组件的指示，以适当的时间间隔使用正确的润滑剂进行维修。仅使用推荐的润滑剂。其他润滑剂可能会影响产品性能。

1. 必须始终使用推荐级别的机油。使用不合适的机油可能绞车和/或其相关部件损坏。会导致温度过高、效率下降，并可能损坏润滑部件。请参考推荐润滑剂表。

润滑间隔

2. 建议在初次运行约50小时后进行第一次机油更换。然后，根据组成部分间隔的要求排放和更换机油。

检查空气管路润滑器每日的用量。

3. 始终检查清除的油是否有内部损坏或污染的迹象（金属屑、污垢、水等）

检查马达油位如果发现损坏迹象，请在绞车恢复使用前进行调查并纠正。检查减速器和盘式制动器油

4. 产品运行后，在加满油之前，让油沉淀

5. 将润滑剂收集在合适的容器中，并以环境安全的方式进行处

更换盘式制动器油

气动产品使用机油来防止过热，并防止可能导致火花的磨损。必须正确保持油位，润滑为确保绞车继续正常运行，所有需要润滑的点必须按照每个组件的指示，以适当的时间间隔使用正确的润滑剂进行维修。

When considering wire rope requirements, the actual working load must include not only static or static loads, but also loads caused by acceleration, deceleration and shock loads. It must also be considered that prior to installation, refer to the product safety information manual for all chapters of installation, winch wire rope drum size, pulleys and winding methods. The maximum diameter of the wire rope is limited by the wire rope anchor. The recommended wire rope structure is 6X19 or 6X37IWRC right-handed.

Ensure that all wire rope trolleys and fasteners have an adequate safety factor to handle the required loads in all conditions. Do not let the wire rope touch sharp edges or sharp turns, otherwise it will damage the wire rope, use pulleys.

1. Do not use the wire rope as the grounding for welding. Install the wire rope to the drum for overwinding operation (normal application).

2. Do not weld the wire rope to the winch drum.

3. Never cross the sharp edge of the wire rope.

4. When using the guide wheel, it must be aligned with the center of the drum. The diameter of the guide wheel must be at least 18 times the diameter of the wire rope.

5. Always keep at least three turns of a complete and tight wire rope on the drum.

减速齿轮和盘式制动器推荐润滑剂等级		气动马达推荐的润滑剂等级			推荐润滑脂等级		
温度	等级类型	温度	等级类型	温度	等级类型	温度	等级类型
32°F (0°C)	2 EP (ISO VG 68)	低于32华氏度(0摄氏度)	ISO VG 32 (SAE 10W)	低于32华氏度(0摄氏度)	ISO VG 32	-20°至50°F(-30°至10°C)	EP 1多用途锂基润滑脂
32° to 80°F (0° to 27°C)	3 EP (ISO VG 100)	32° to 80°F (0° to 27°C)	ISO VG 68 (SAE20W)*	32° to 80°F (0° to 27°C)	ISO VG 68	30° to 120° F(-1° to 49°C)	EP 2多用途锂基润滑脂
80°F(27°C)	4 EP (ISO VG 150)	80°F(27°C)	ISO VG 100(SAE 30W)	80°F(27°C)	ISO VG		
出厂时带有 3EP(ISO VG 100)润滑剂		出厂时带有ISO VG 68(SAE 20W)润滑剂					

空气供应 AIR SUPPLY

空气供应必须清洁、无水分并经过润滑，以确保马达的最佳性能。异物、湿气和缺乏润滑是马达过早磨损和故障的主要原因。使用空气过滤器、润滑器和湿气分离器将提高产品的整体性能，并减少计划外的停机时间。

空气供应与建议的不同，产品性能将发生变化。将空气管路润滑器、过滤器和调节器安装在尽可能靠近马达进气口的位置。润滑器必须位于距离马达不超过3米的位置。空气管路附件包也可以安装在操作员一侧或对面的绞车防护板上。

The air supply must be clean, moisture-free and lubricated to ensure optimal motor performance. Foreign matter, moisture and lack of lubrication are the main causes of premature motor wear and failure. Using air filters, lubricators and moisture separators will improve the overall performance of the product and reduce unplanned downtime.

Depending on the air supply than recommended, product performance will change. Install air line lubricators, filters, and regulators as close as possible to the motor air intake. The lubricator must be located no more than 3 meters away from the motor. The air line accessory kit can also be mounted on a winch guard plate on the operator's side or opposite.

空气管路 AIR LINES

空气管路供气线的内径不得小于参数表中规定的尺寸。在进行最终连接之前，在连接到主进气口之前，应使用清洁、无湿气的空气或氮气吹扫所有供气管线。供应管线应在安装条件允许的情况下尽可能短且直。长距离和过度使用配件、弯头、三通、截止阀等会由于线路中的限制和表面摩擦而导致压力降低。

The inner diameter of the air supply line shall not be less than the size specified in the parameter table. All supply lines should be purged with clean, moisture-free air or nitrogen before making the final connection, before connecting to the main air intake. The supply line should be as short and straight as possible when installation conditions permit. Long distances and excessive use of fittings, elbows, tees, globe valves, etc. can lead to pressure reduction due to restrictions in the line and surface friction.

安装 INSTALLATION

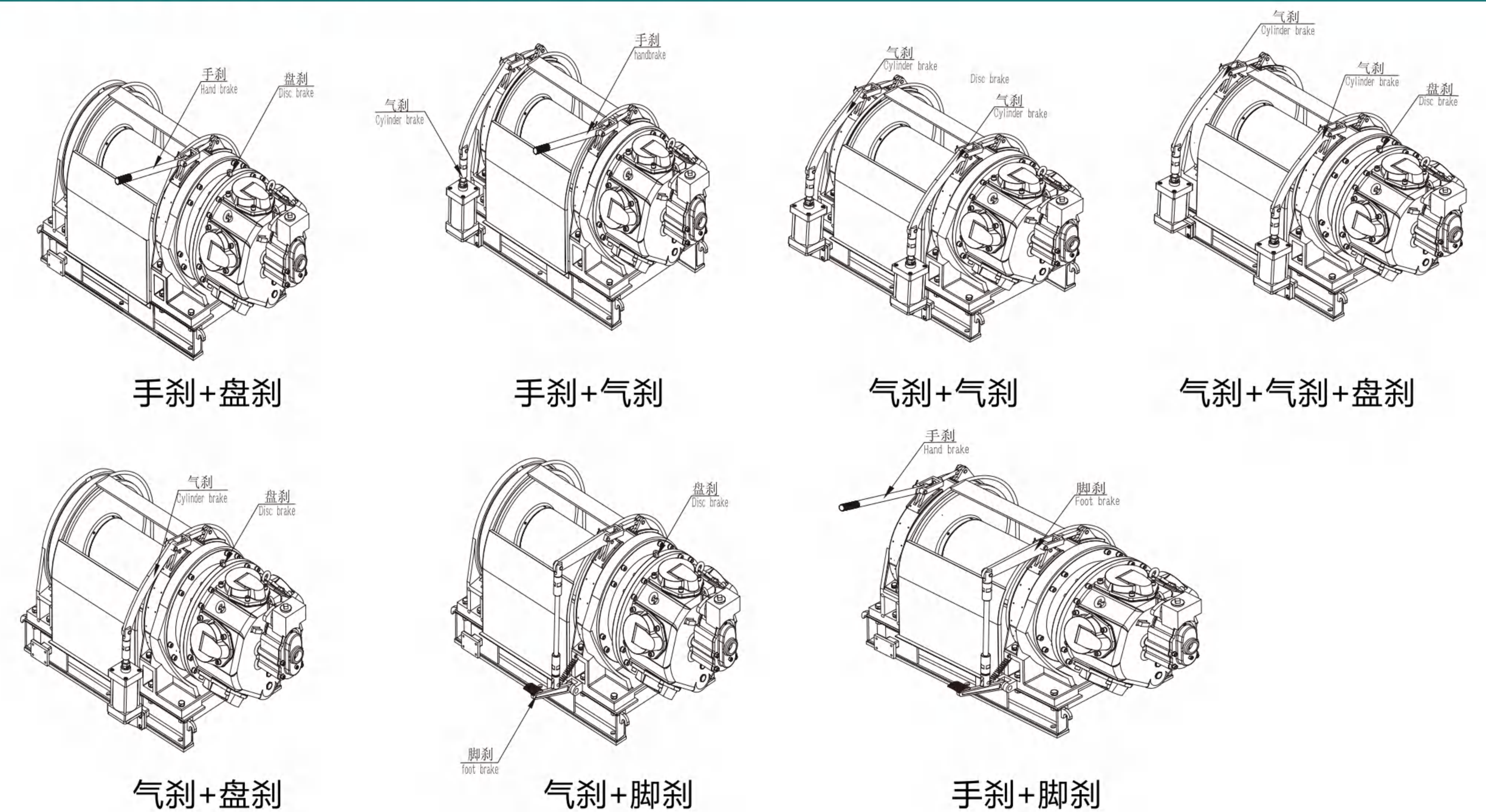
移动、定位或安装绞车时必须小心。在大多数情况下，提供了吊耳来帮助搬运绞车。如果吊耳的位置不适合您的特定安装，则应特别小心，以确保提升绞车时能够适当平衡。安装绞车，使卷筒的轴线处于水平状态，并且气动马达通风帽与顶部垂直中心的距离不超过15度。如果要绞车安装在倒置位置，则必须旋转马达外壳，将通风帽定位在顶部。

绞车安装表面必须平整，并具有足够的强度来处理额定负载加上绞车和附属设备的重量。基础不足可能导致绞车立柱和侧栏变形或扭曲，从而导致绞车损坏。安装螺栓必须为8级或以上，使用自锁螺母或带锁紧垫圈的螺母。保持滑轮和绞车之间的滑轮组角度不超过1-1/2。导向轮必须与滚筒在中心线上，不要焊接到绞车的任何部件。

Care must be taken when moving, positioning, or installing the winch. In most cases, lifting lugs are provided to help carry the winch. If the position of the lifting lugs is not suitable for your specific installation, special care should be taken to ensure proper balancing when lifting the winch. Install the winch so that the axis of the drum is horizontal, and the distance between the air motor ventilation cap and the vertical center of the top does not exceed 15 degrees. If you want to install the winch in an inverted position, you must rotate the motor housing, positioning the ventilation cap on top.

The winch mounting surface must be flat and strong enough to handle the rated load plus the weight of the winch and ancillary equipment. Insufficient foundation can cause deformation or twisting of the winch column and siderail, resulting in damage to the winch. The mounting bolts must be class 8 or above, using a self-locking nut or a nut with a locking washer. Keep the pulley set angle between the pulley and the winch not more than 1-1/2. The guide wheel must be on the centerline with the drum and not welded to any part of the winch.

气动绞车刹车形式 PNEUMATIC WINCH BRAKE FORM



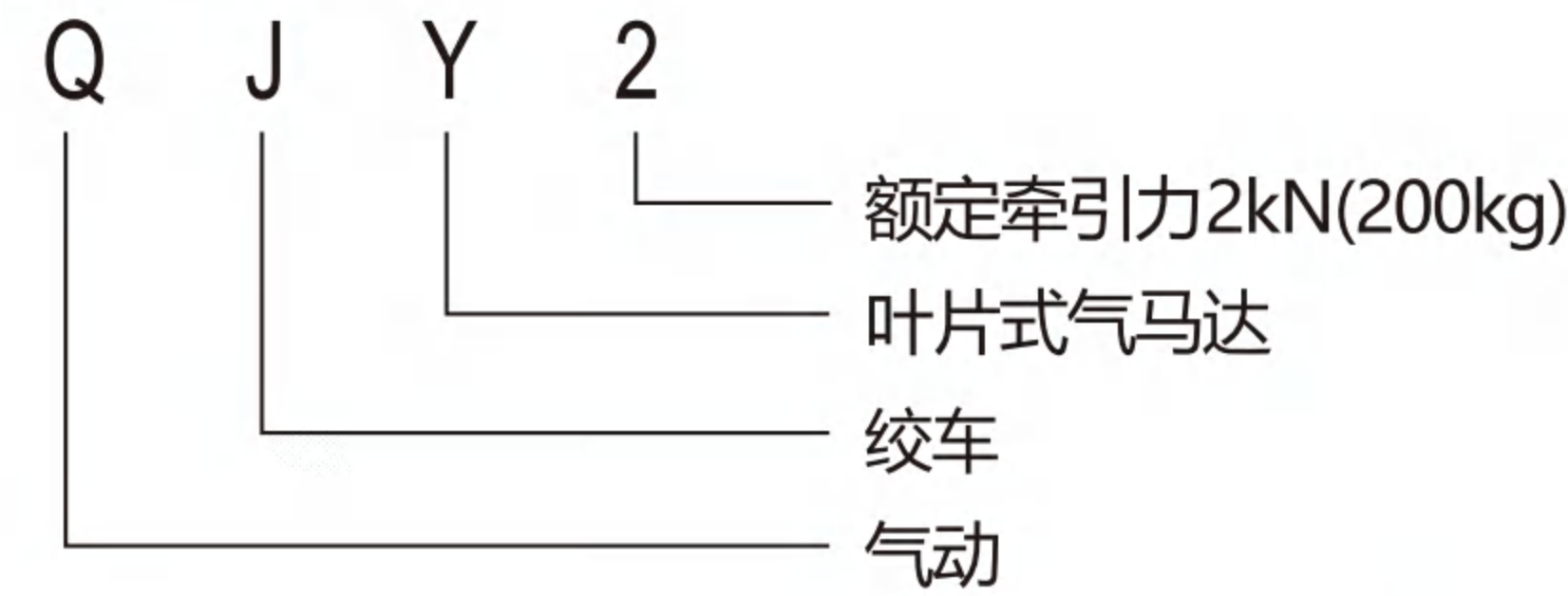
0.1T-0.2T/440lbs气动绞车

0.1T-0.2T/440lbs pneumatic winch

概况 OVERVIEW

1. 产品名称: 气动绞车

2. 型号



技术特点 TECHNICAL CHARACTERISTICS

本产品以压缩空气为动力, 采用手动控制, 叶片式气马达驱动, 经齿轮减速, 带动卷筒转动, 实现工作要求。外形如图一所示。

本产品的主要技术特点如下:

- 自动刹车: 该绞车在使用过程中如气源突然中断, 刹车系统将自动刹住卷筒, 避免人为刹车不及时而使重物突然下滑, 酿成事故。
- 操作方便: 该绞车控制阀与气马达组合设计, 操作仅一个控制阀手柄, 同时能控制马达的速度、正反转及刹车气室的供气。
- 重量轻: 该绞车主要构件为铝合金, 具备必要的强度与刚性, 而自重较轻。

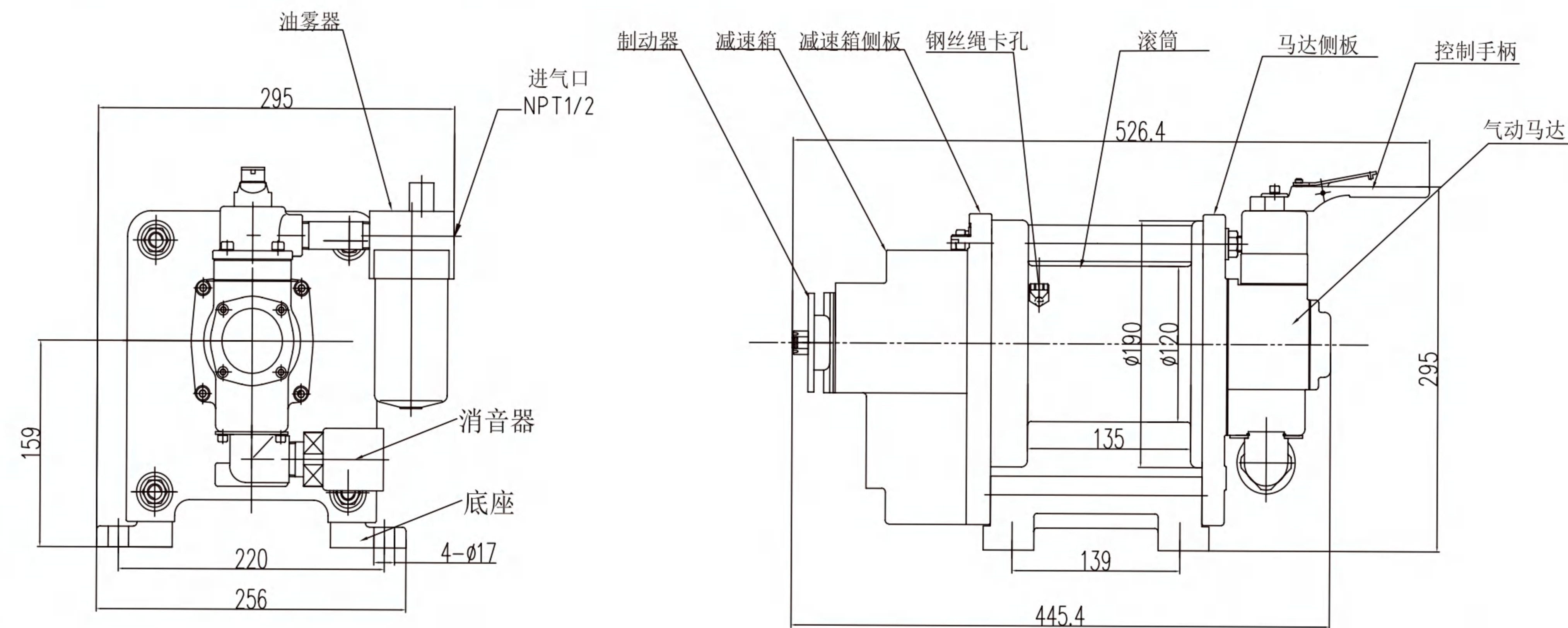
本产品适用于油田钻井、货仓、矿场、车间等防爆场合提升重物之用。

This product is powered by compressed air, adopts manual control, vane type air motor drive, through gear reduction, drive the drum to rotate, to achieve the work requirements. The appearance is shown in Figure 1.

The main technical features of this product are as follows:

- Automatic braking: If the air source of the winch is suddenly interrupted during use, the brake system will automatically brake the drum to avoid the sudden slide of the heavy object due to the untimely braking of man-made and cause an accident.
- Easy to operate: the winch control valve and the air motor combination design, the operation of only one control valve handle, at the same time can control the speed, forward and reverse rotation of the motor and the air supply of the brake chamber.
- Light weight: the main component of the winch is aluminum alloy, which has the necessary strength and rigidity, and the self-weight is light.

This product is suitable for lifting heavy objects in explosion-proof occasions such as oilfield drilling, cargo warehouse, mine, workshop, etc.



型号	额定拉力 (kN) Rated pull	空气压力 (Mpa) Air pressure	钢丝绳速 (m/min) Rope speed	钢丝绳容量 (mm) Rope capacity	钢丝绳直径 (mm) Rope diameter	外形尺寸 (mm) Outline dimension	重量 (kg) Weight
QJY100	1	0.7	0-45	50	6	518*292*295	28
QJY200	2	0.7	0-15	50	6	518*292*295	30

0.5T/1100lbs气动绞车

0.5T/1100lbs pneumatic winch

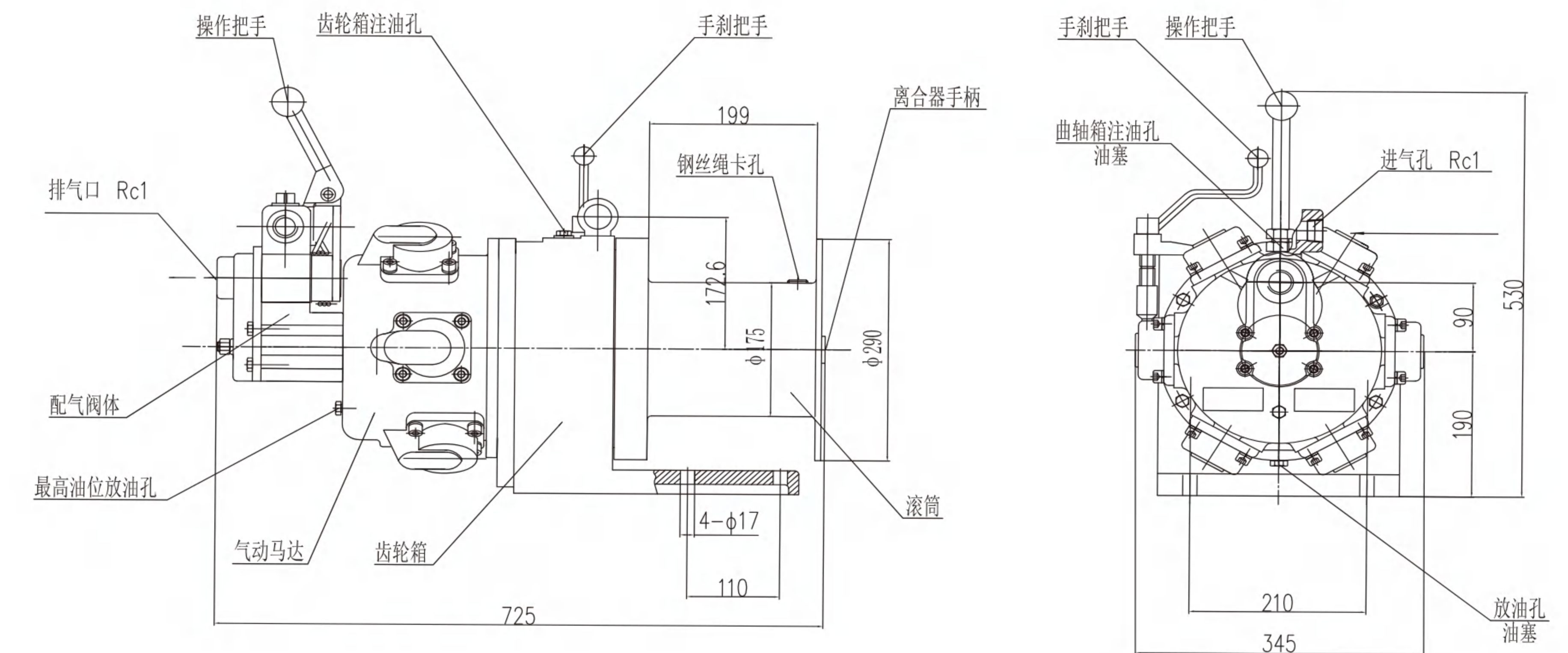
技术特点 TECHNICAL CHARACTERISTICS

以压缩空气为动力, 采用手动控制 (可选配远程控制方式), 手控式刹车, 灵活刹车, 活塞式气马达驱动, 制动采用自动刹车, 表面采用船用防腐油漆。

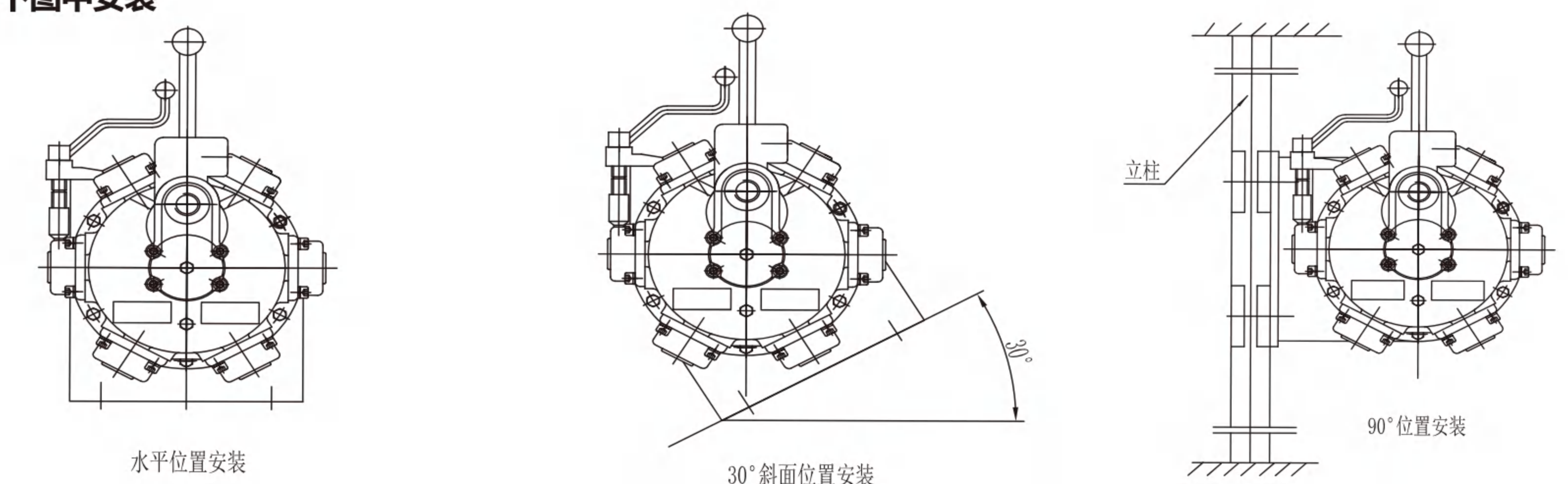
Powered by compressed air, it adopts manual control (optional with remote control), piston type air motor drive, automatic braking, and marine anti-corrosion paint on the surface.



编号NO.	参数 Parameter	QJBS
1	压缩空气压力(MPa) Pressure of compressed air(MPa)	0.6-0.7 (MPa)
2	第一层拉力 (kN) Pull force at the 1st layer (kN)	5 (kN)
3	额定速度 (m/mim) Nominal rated speed (m/mim)	48 (m/mim)
4	气动马达 额定功率 (kW) Rated power (kW)	4 (kW)
	Cylinder diameter 气缸数 (个) Cylinder number(piece)	5 (piece)
5	滚筒 直径 (mm) Diameter (mm)	φ175 (mm)
	Cylinder 宽度 (mm) Width (mm)	198 (mm)
	轮缘直径 (mm) rim diameter (mm)	φ290 (mm)
	容绳量 (m) Wire rope content (m)	120 (m)
6	耗气量 Air consumption (L/s)	125(L/s)
7	钢丝绳直径 (mm) Wire rope diameter (mm)	8 (mm)
8	外型尺寸 长 (mm) Length (mm)	725 (mm)
	Configuration 宽 (mm) Width (mm)	342 (mm)
9	Dimension 高 (mm) Height (mm)	530 (mm)
	刹车形式 Braking form	手刹
10	进气管尺寸 (inch) Intake pipe size	1
11	总重量(Kg) Weight(Kg) (不含钢丝绳) Excluding steel wire rope	120(Kg)



型号: 1T-1T 绞车可按以下图中安装



1T/2200lbs气动绞车

1T/2200lbs pneumatic winch

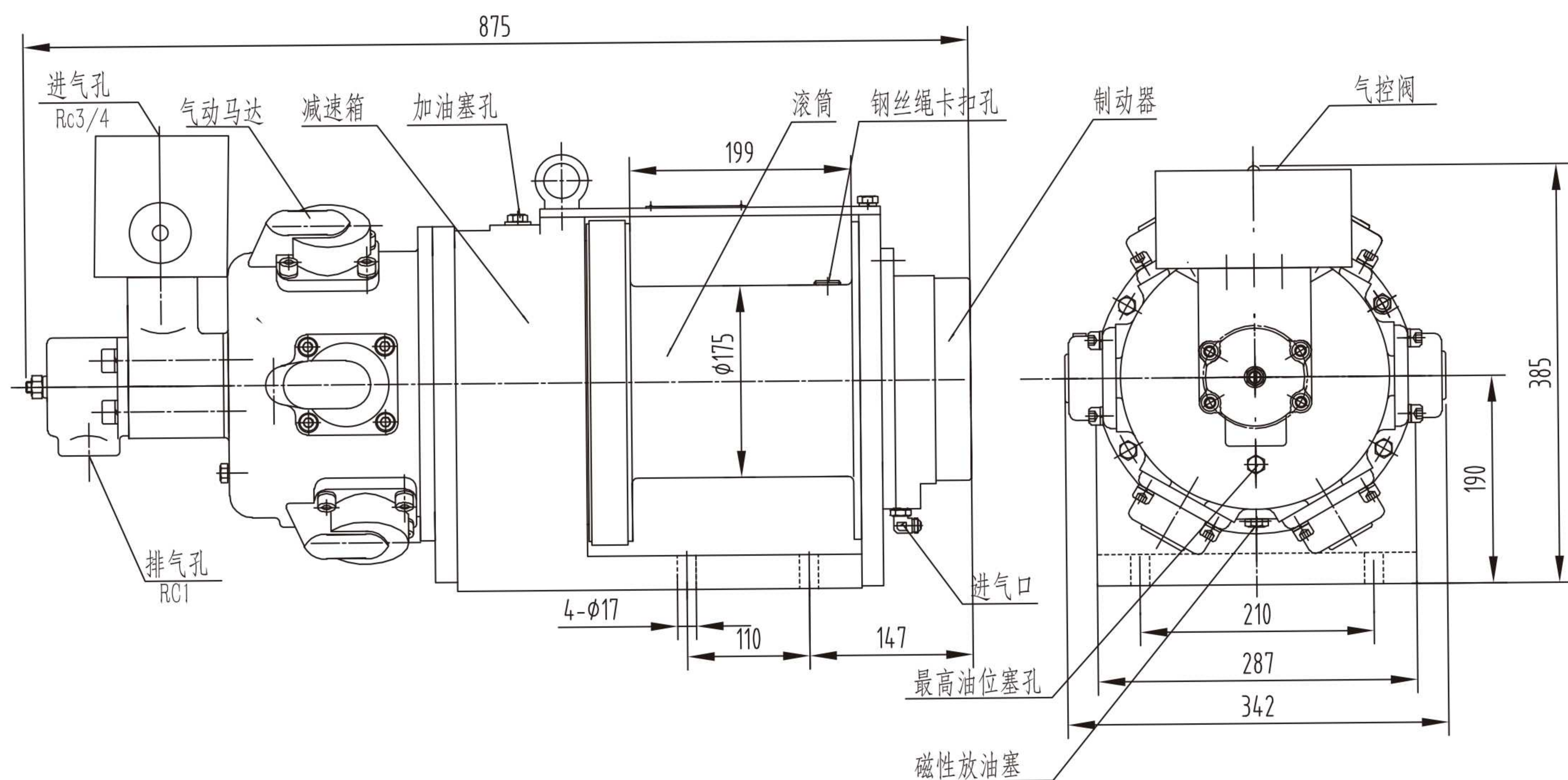
技术特点 TECHNICAL CHARACTERISTICS

以压缩空气为动力，采用远程控制，活塞式气马达驱动，制动采用自动刹车，可在20米距离内用气控阀远程控制绞车，表面采用船用防腐油漆。

Powered by compressed air, remote control is adopted, driven by a piston type air motor, and automatic braking is used for braking. The winch can be remotely controlled within a distance of 20 meters using an air control valve, and the surface is coated with marine anti-corrosion paint.



编号NO.	参数 Parameter	QJH5D
1	压缩空气压力(MPa) Pressure of compressed air(MPa)	0.6-0.7 (MPa)
2	第一层拉力(kN) Pull force at the 1st layer (kN)	5 (kN)
3	额定速度 (m/mim) Nominal rated speed (m/mim)	48 (m/mim)
4	气动马达 额定功率(kW) Rated power (kW)	4 (kW)
	Cylinder diameter 气缸数(个) Cylinder number(piece)	5 (piece)
5	滚筒 直径(mm) Diameter (mm)	φ175 (mm)
	Cylinder 宽度(mm) Width (mm)	198 (mm)
	轮缘直径(mm) rim diameter (mm)	φ290 (mm)
	容绳量(m) Wire rope content (m)	120 (m)
6	耗气量 Air consumption (L/s)	125(L/s)
7	钢绳直径(mm) Wire rope diameter (mm)	8 (mm)
	外型尺寸 长(mm) Length (mm)	857 (mm)
8	Configuration 宽(mm) Width (mm)	342 (mm)
	Dimension 高(mm) Height (mm)	440 (mm)
9	刹车形式 Braking form	自动刹
10	进气管尺寸(inch) Intake pipe size	1
11	总重量(Kg) Weight(Kg) (不含钢丝绳) Excluding steel wire rope	130 (Kg)



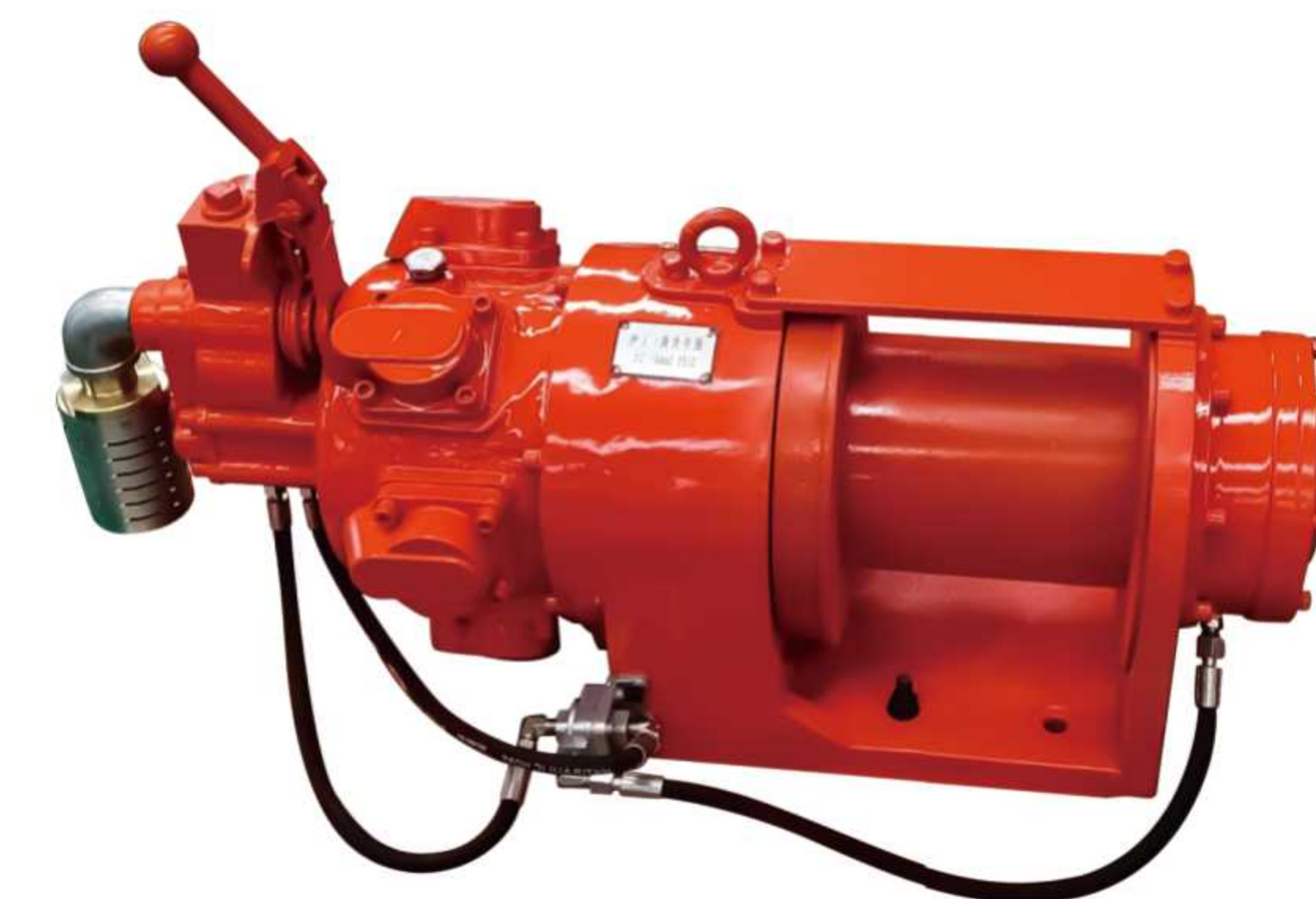
1T/2200lbs气动绞车

1T/2200lbs pneumatic winch

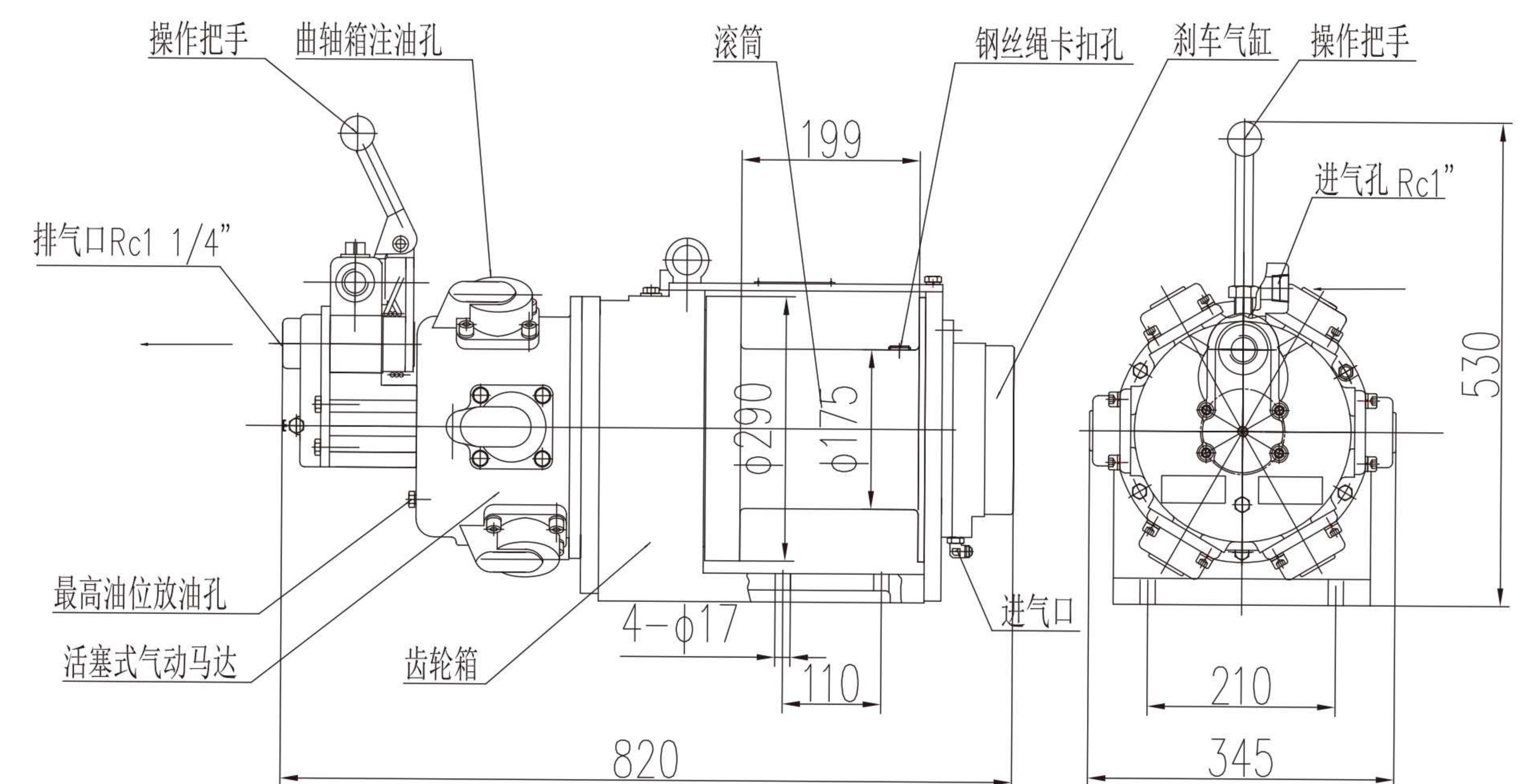
技术特点 TECHNICAL CHARACTERISTICS

以压缩空气为动力，采用手动控制（可选配远程控制方式），活塞式气马达驱动，制动采用自动刹车，表面采用船用防腐油漆。

Powered by compressed air, it adopts manual control (optional with remote control), piston type air motor drive, automatic braking, and marine anti-corrosion paint on the surface.



编号NO.	参数 Parameter	QJH5D
1	压缩空气压力(MPa) Pressure of compressed air(MPa)	0.6-0.7 (MPa)
2	第一层拉力(kN) Pull force at the 1st layer (kN)	5 (kN)
3	额定速度 (m/mim) Nominal rated speed (m/mim)	48 (m/mim)
4	气动马达 额定功率(kW) Rated power (kW)	4 (kW)
	Cylinder diameter 气缸数(个) Cylinder number(piece)	5 (piece)
5	滚筒 直径(mm) Diameter (mm)	φ175 (mm)
	Cylinder 宽度(mm) Width (mm)	198 (mm)
	轮缘直径(mm) rim diameter (mm)	φ290 (mm)
	容绳量(m) Wire rope content (m)	120 (m)
6	耗气量 Air consumption (L/s)	125(L/s)
7	钢绳直径(mm) Wire rope diameter (mm)	8 (mm)
	外型尺寸 长(mm) Length (mm)	857 (mm)
8	Configuration 宽(mm) Width (mm)	342 (mm)
	Dimension 高(mm) Height (mm)	440 (mm)
9	刹车形式 Braking form	自动刹
10	进气管尺寸(inch) Intake pipe size	1
11	总重量(Kg) Weight(Kg) (不含钢丝绳) Excluding steel wire rope	130 (Kg)



2T/4400lbs气动绞车

2T/4400lbs pneumatic winch

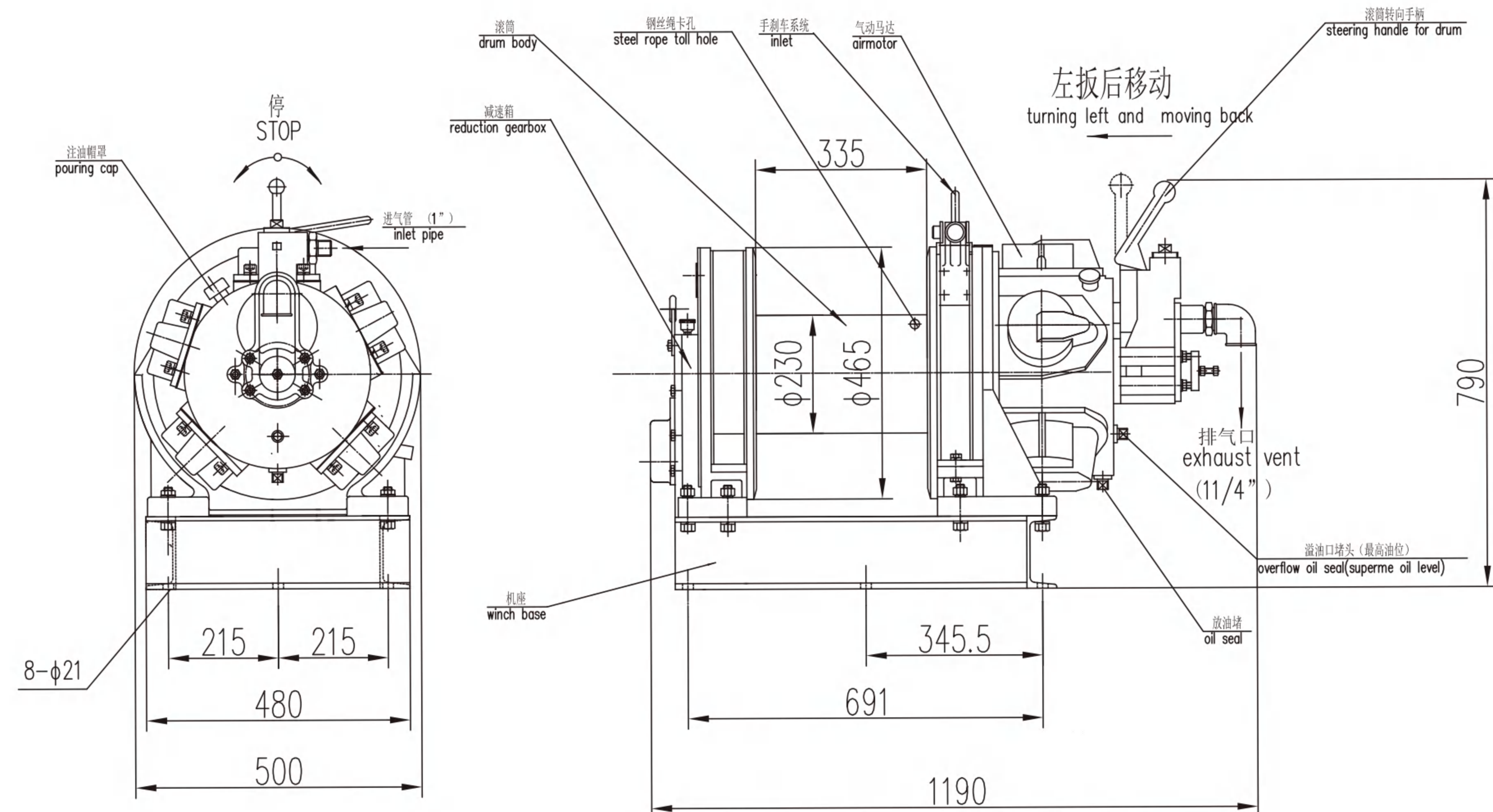
技术特点 TECHNICAL CHARACTERISTICS

以压缩空气为动力，采用手动控制（可选配远程控制方式），活塞式气马达驱动，制动器采用单手刹，刹车灵活，表面采用船用防腐油漆。

Powered by compressed air, it adopts manual control (optional with remote control), driven by a piston type air motor, and the brake adopts a single hand brake. The brake is flexible, and the surface is coated with marine anti-corrosion paint.



编号NO.	参数 Parameter		QJH20	
1	压缩空气压力(MPa)	Pressure of compressed air(MPa)	0.7-0.8 (MPa)	
2	第一层拉力 (kN)	Pull force at the 1st layer (kN)	20 (kN)	
3	额定速度 (m/mim)	Nominal rated speed (m/mim)	24 (m/mim)	
4	气动马达	额定功率 (kW)	Rated power (kW)	12 (kW)
	Cylinder diameter	气缸数 (个)	Cylinder number(piece)	5 (piece)
5	滚筒 Cylinder	直径 (mm)	Diameter (mm)	φ 230 (mm)
		宽度 (mm)	Width (mm)	335 (mm)
		轮缘直径 (mm)	rim diameter (mm)	φ 465 (mm)
		容绳量 (m)	Wire rope content (m)	150 (m)
6	耗气量	Air consumption (L/s)	100(L/s)	
7	钢丝绳直径 (mm)	Wire rope diameter (mm)	14 (mm)	
	外型尺寸	长 (mm)	Length (mm)	1190 (mm)
8	Configuration	宽 (mm)	Width (mm)	75 (mm)
	Dimension	高 (mm)	Height (mm)	79 (mm)
9	刹车形式	Braking form	手刹+脚刹	
10	进气管尺寸 (inch)	Intake pipe size	1	
11	总重量(Kg)	Weight (Kg) (不含钢丝绳) Excluding steel wire rope	380(Kg)	



3T/6600lbs 气动绞车

3T/6600lbs pneumatic winch

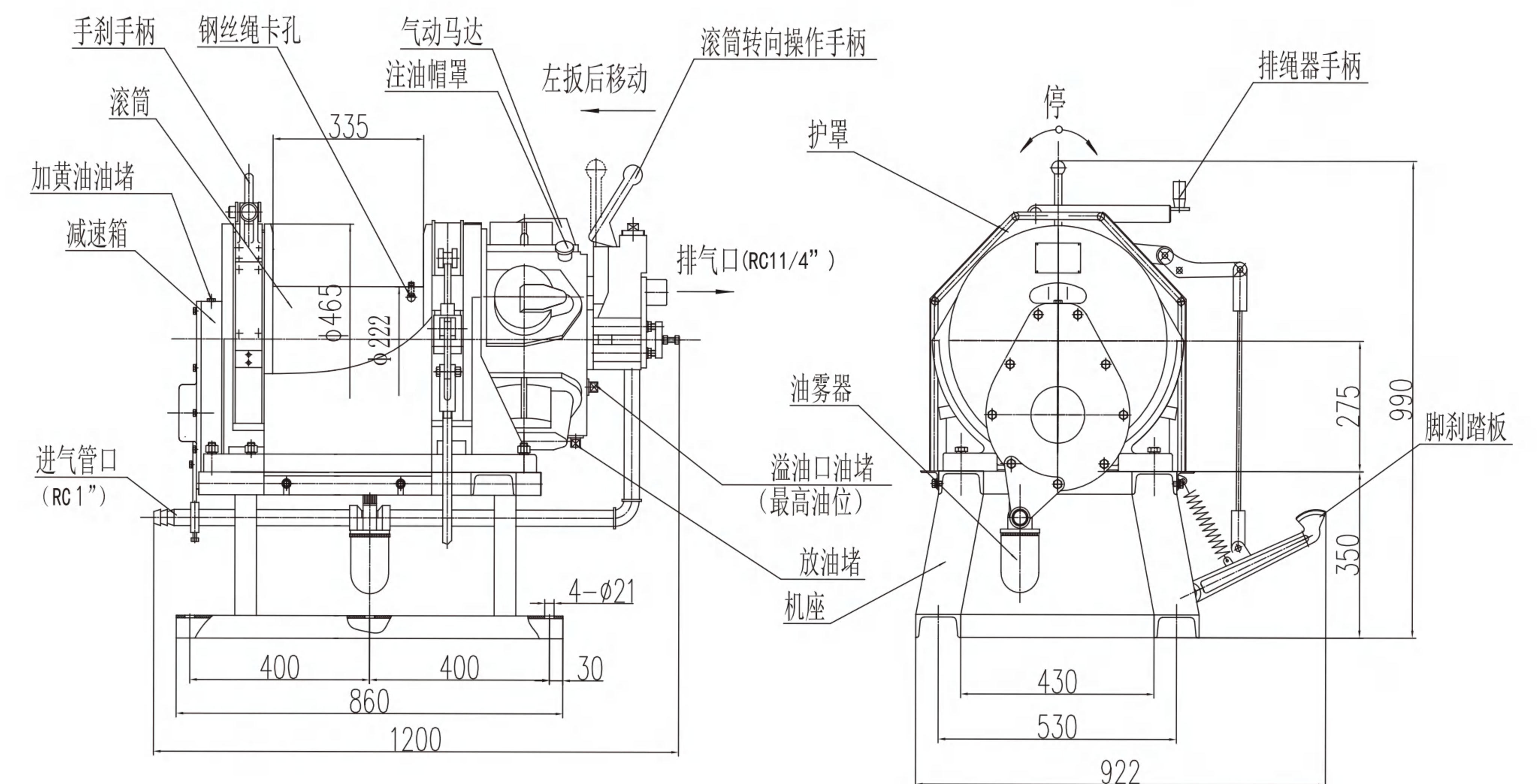
技术特点 TECHNICAL CHARACTERISTICS

以压缩空气为动力，采用手动控制（可选配远程控制方式），活塞式气马达驱动，制动采用手刹加脚刹，制动力大，刹车灵活，加装了油雾器，加装防护罩，表面采用船用防腐油漆。

Powered by compressed air, it adopts manual control (optional with remote control), and is driven by a piston type air motor. The brake adopts hand brake and foot brake, with high braking force and flexible braking. It is equipped with an oil mist filter and a protective cover, and the surface is coated with marine anti-corrosion paint.



编号NO.	参数 Parameter		QJH30	
1	压缩空气压力(MPa)	Pressure of compressed air(MPa)	0.7-0.8 (MPa)	
2	第一层拉力 (kN)	Pull force at the 1st layer (kN)	30 (kN)	
3	额定速度 (m/mim)	Nominal rated speed (m/mim)	0-24 (m/mim)	
4	气动马达	额定功率 (kW)	Rated power (kW)	15 (kW)
	Cylinder diameter	气缸数 (个)	Cylinder number(piece)	5 (piece)
5	滚筒 Cylinder	直径 (mm)	Diameter (mm)	φ 222 (mm)
		宽度 (mm)	Width (mm)	335 (mm)
		轮缘直径 (mm)	rim diameter (mm)	φ 465 (mm)
		容绳量 (m)	Wire rope content (m)	150 (m)
6	耗气量	Air consumption (L/s)	220(L/s)	
7	钢丝绳直径 (mm)	Wire rope diameter (mm)	16 (mm)	
	外型尺寸	长 (mm)	Length (mm)	12 (mm)
8	Configuration	宽 (mm)	Width (mm)	922 (mm)
	Dimension	高 (mm)	Height (mm)	99 (mm)
9	刹车形式	Braking form	手刹+脚刹	
10	进气管尺寸 (inch)	Intake pipe size	1	
11	总重量(Kg)	Weight (Kg) (不含钢丝绳) Excluding steel wire rope	418(Kg)	



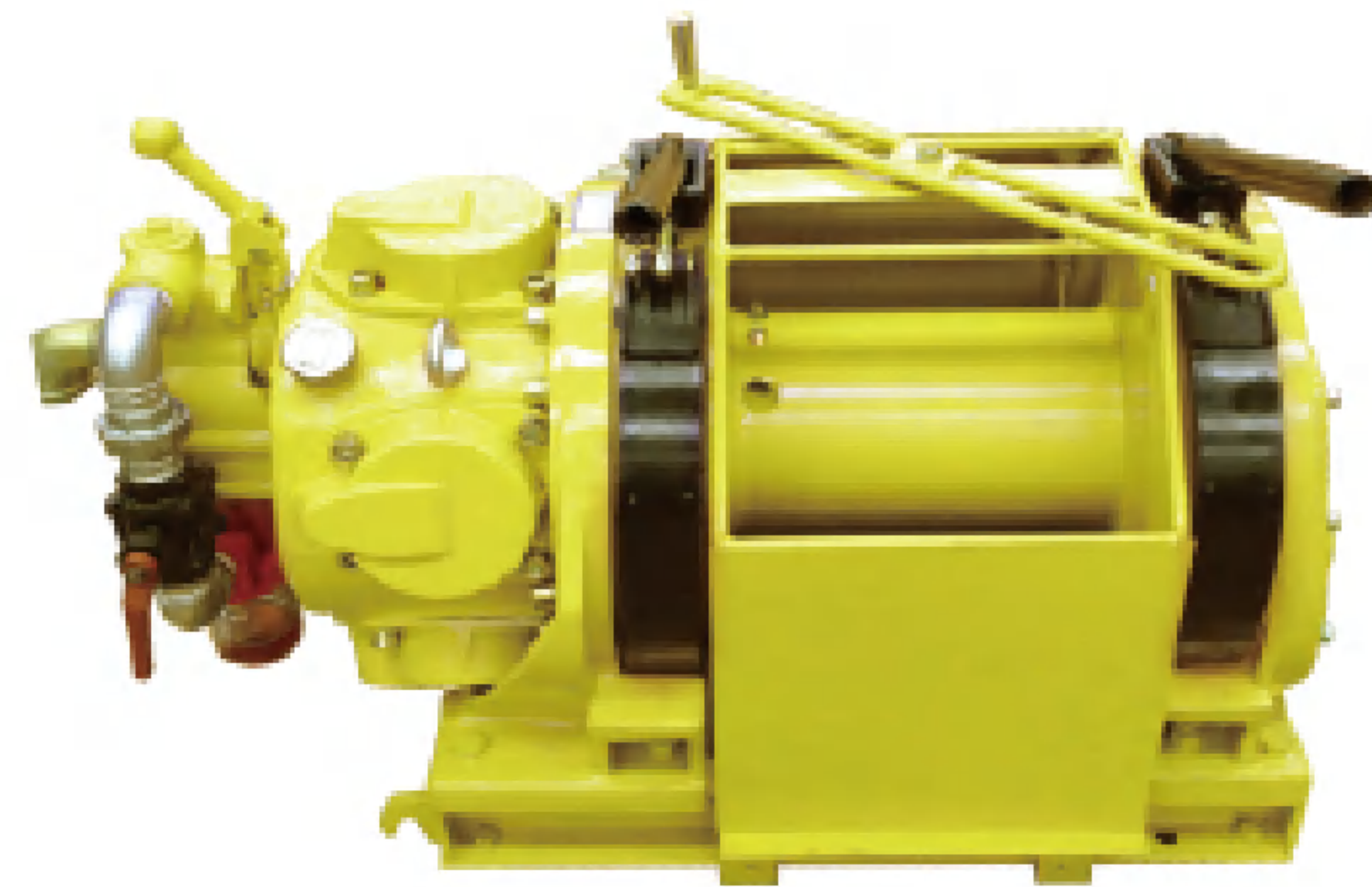
3T/6600lbs 气动绞车

3T/6600lbs pneumatic winch

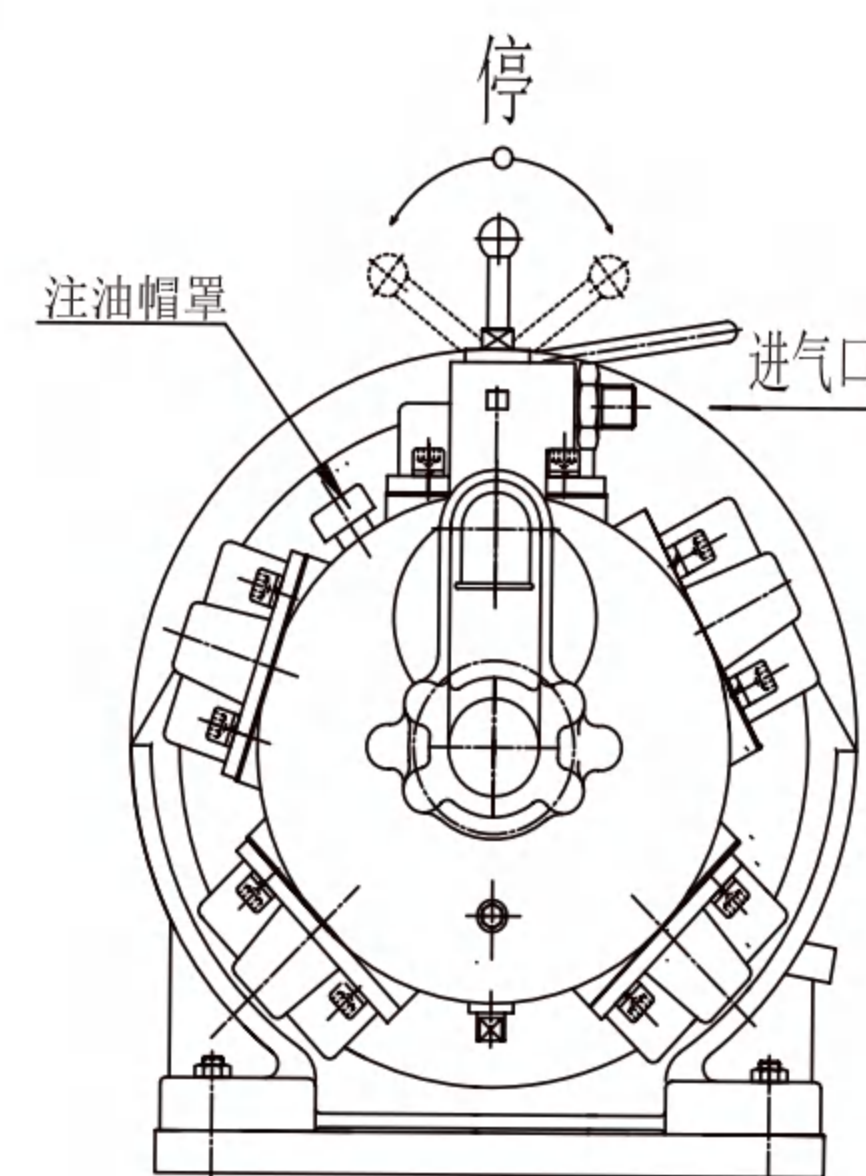
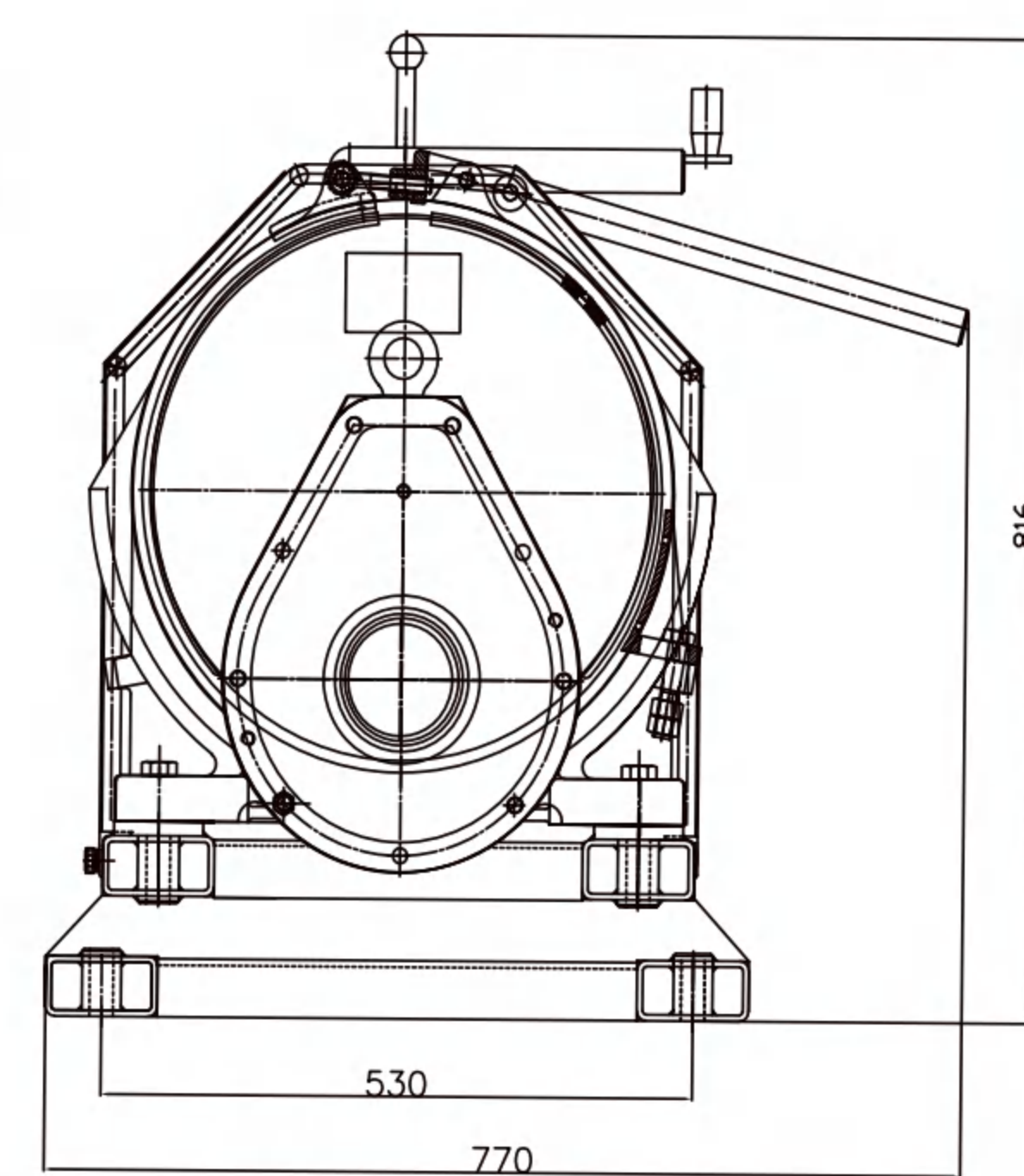
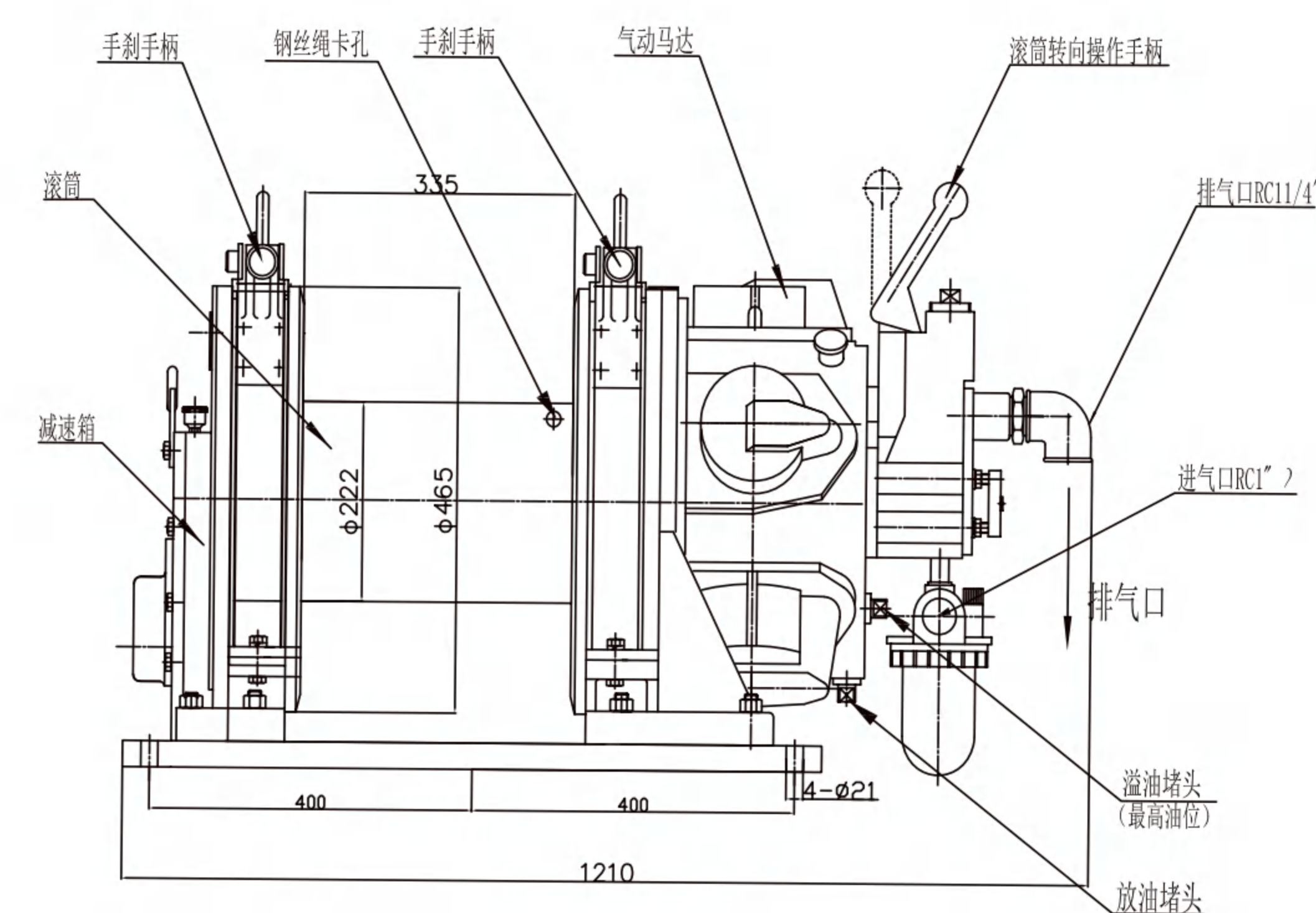
技术特点 TECHNICAL CHARACTERISTICS

以压缩空气为动力，采用手动控制（可选配远程控制方式），活塞式气马达驱动，制动采用双手刹，制动力大，刹车灵活，加装了油雾器，加装防护罩，表面采用船用防腐油漆。

Powered by compressed air, using manual control (optional with remote control), driven by a piston type air motor. The brake adopts a dual hand brake with high braking force and flexible braking. It is equipped with an oil mist filter and a protective cover, and the surface is coated with marine anti-corrosion paint.



编号NO.	参数 Parameter	QJH30
1	压缩空气压力(MPa) Pressure of compressed air(MPa)	0.7-0.8 (MPa)
2	第一层拉力 (kN) Pull force at the 1st layer (kN)	30 (kN)
3	额定速度 (m/mim) Nominal rated speed (m/mim)	0-24 (m/mim)
4	气动马达 额定功率 (kW) Rated power (kW)	15 (kW)
	Cylinder diameter 气缸数 (个) Cylinder number(piece)	5 (piece)
5	滚筒 直径 (mm) Diameter (mm)	φ222 (mm)
	Cylinder 宽度 (mm) Width (mm)	335 (mm)
	轮缘直径 (mm) rim diameter (mm)	φ465 (mm)
	容绳量 (m) Wire rope content (m)	150 (m)
6	耗气量 Air consumption (L/s)	220(L/s)
7	钢丝绳直径 (mm) Wire rope diameter (mm)	16 (mm)
8	外型尺寸 长 (mm) Length (mm)	1210 (mm)
	Configuration 宽 (mm) Width (mm)	770 (mm)
8	Dimnension 高 (mm) Height (mm)	816 (mm)
	9	刹车形式 Braking form
10	进气管尺寸 (inch) Intake pipe size	1 1/2
11	总重量(Kg) Weight(Kg) (不含钢丝绳) Excluding steel wire rope	418 (Kg)



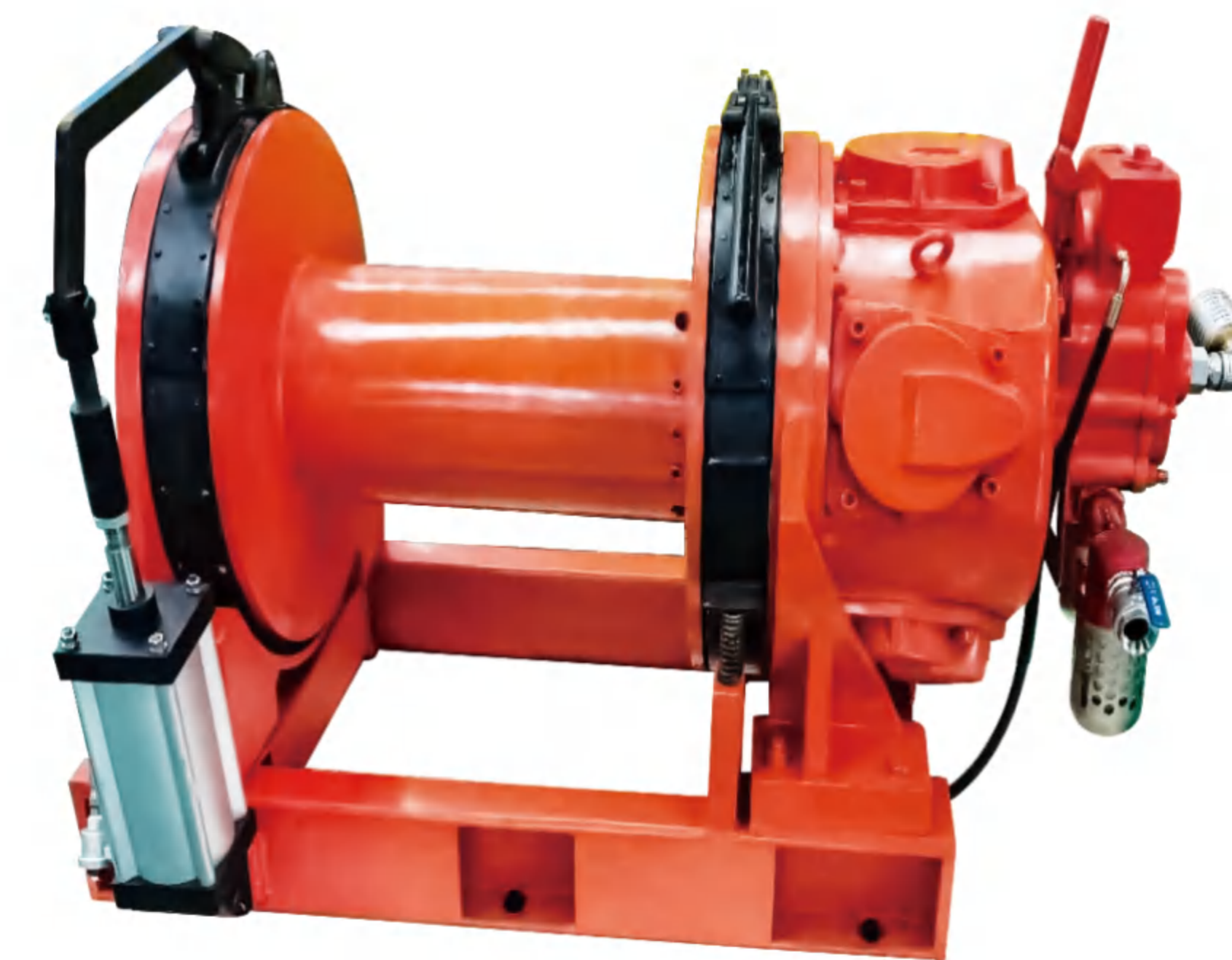
5T/11000lbs 气动绞车

5T/11000lbs pneumatic winch

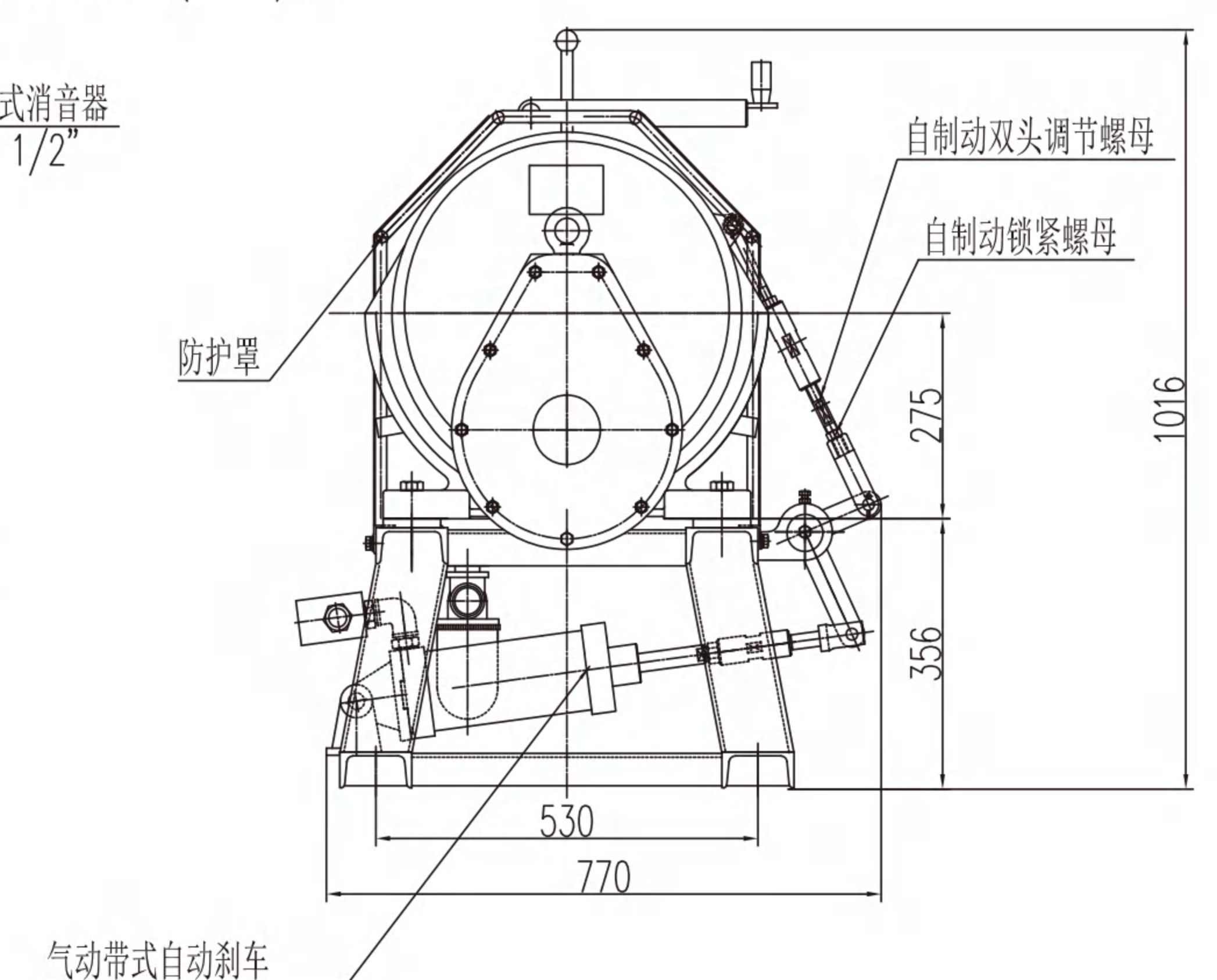
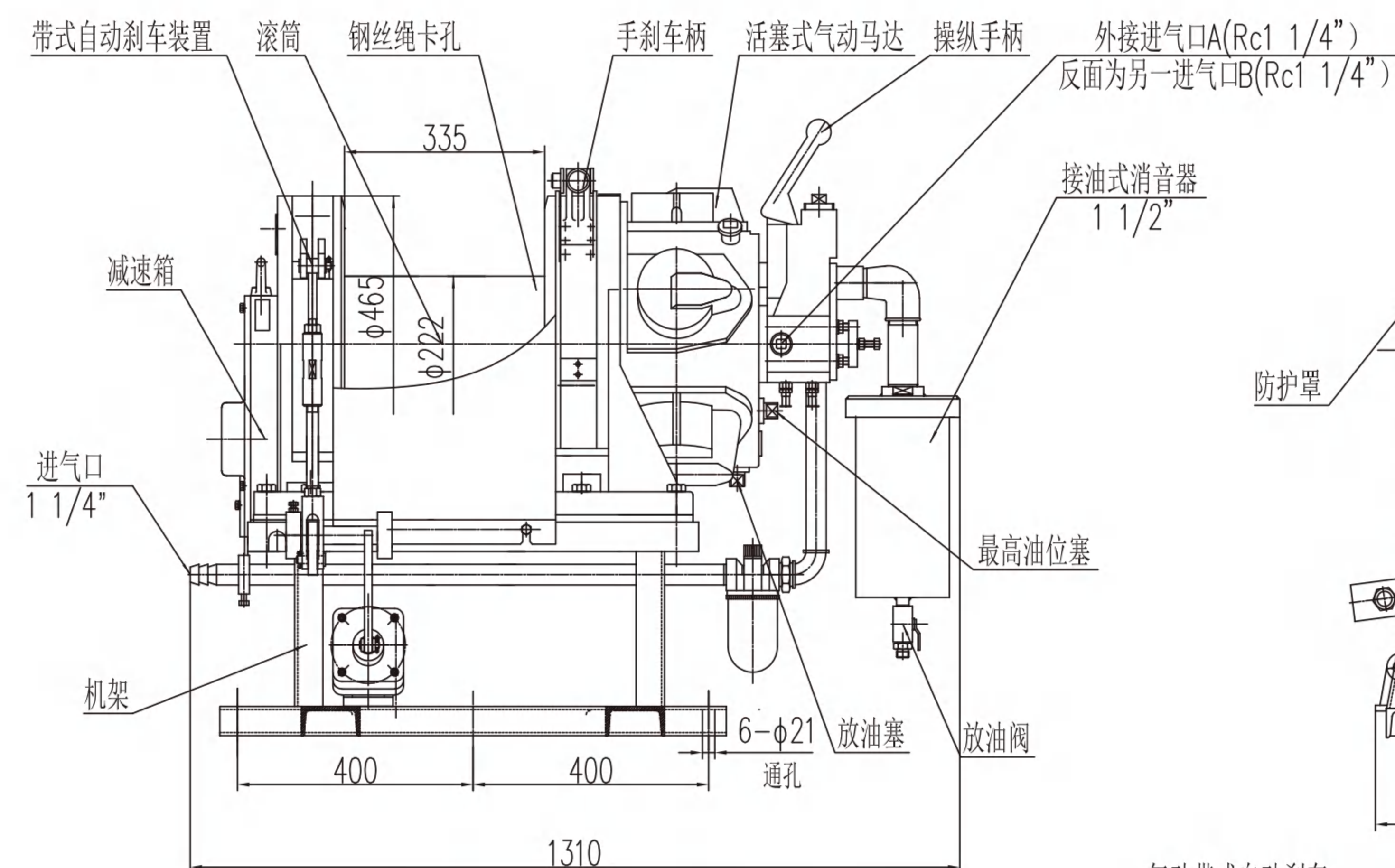
技术特点 TECHNICAL CHARACTERISTICS

以压缩空气为动力，采用手动控制（可选配远程控制方式），活塞式气马达驱动，制动器采用手刹加单气刹，制动力大，刹车灵活，加装了过滤器与油雾器，表面采用船用防腐油漆。

Powered by compressed air, it adopts manual control (optional with remote control), and is driven by a piston type air motor. The brake adopts a hand brake and a single air brake, with high braking force and flexible braking. It is equipped with a filter and oil mist eliminator, and the surface is coated with marine anti-corrosion paint.



编号	参数 Parameter	QJH50
1	压缩空气压力(MPa) Pressure of compressed air(MPa)	0.7-0.8 (MPa)
2	第一层拉力 (kN) Pull force at the 1st layer (kN)	50 (kN)
3	额定速度 (m/mim) Nominal rated speed (m/mim)	0-12
4	气动马达 额定功率 (kW) Rated power (kW)	17 (kW)
	Cylinder diameter 气缸数 (个) Cylinder number(piece)	5 (piece)
5	滚筒 直径 (mm) Diameter (mm)	φ225 (mm)
	Cylinder 宽度 (mm) Width (mm)	335 (mm)
	轮缘直径 (mm) rim diameter (mm)	φ465 (mm)
	容绳量 (m) Wire rope content (m)	150 (m)
6	耗气量 Air consumption (L/s)	245(L/s)
7	钢丝绳直径 (mm) Wire rope diameter (mm)	16 (mm)
8	外型尺寸 长 (mm) Length (mm)	1310 (mm)
	Configuration 宽 (mm) Width (mm)	770 (mm)
8	Dimnension 高 (mm) Height (mm)	1016 (mm)
	9	刹车形式 Braking form
10	进气管尺寸 (inch) Intake pipe size	1 1/2
11	总重量(Kg) Weight(Kg) (不含钢丝绳) Excluding steel wire rope	420 (Kg)



5T/11000lbs气动绞车

5T/11000lbs pneumatic winch

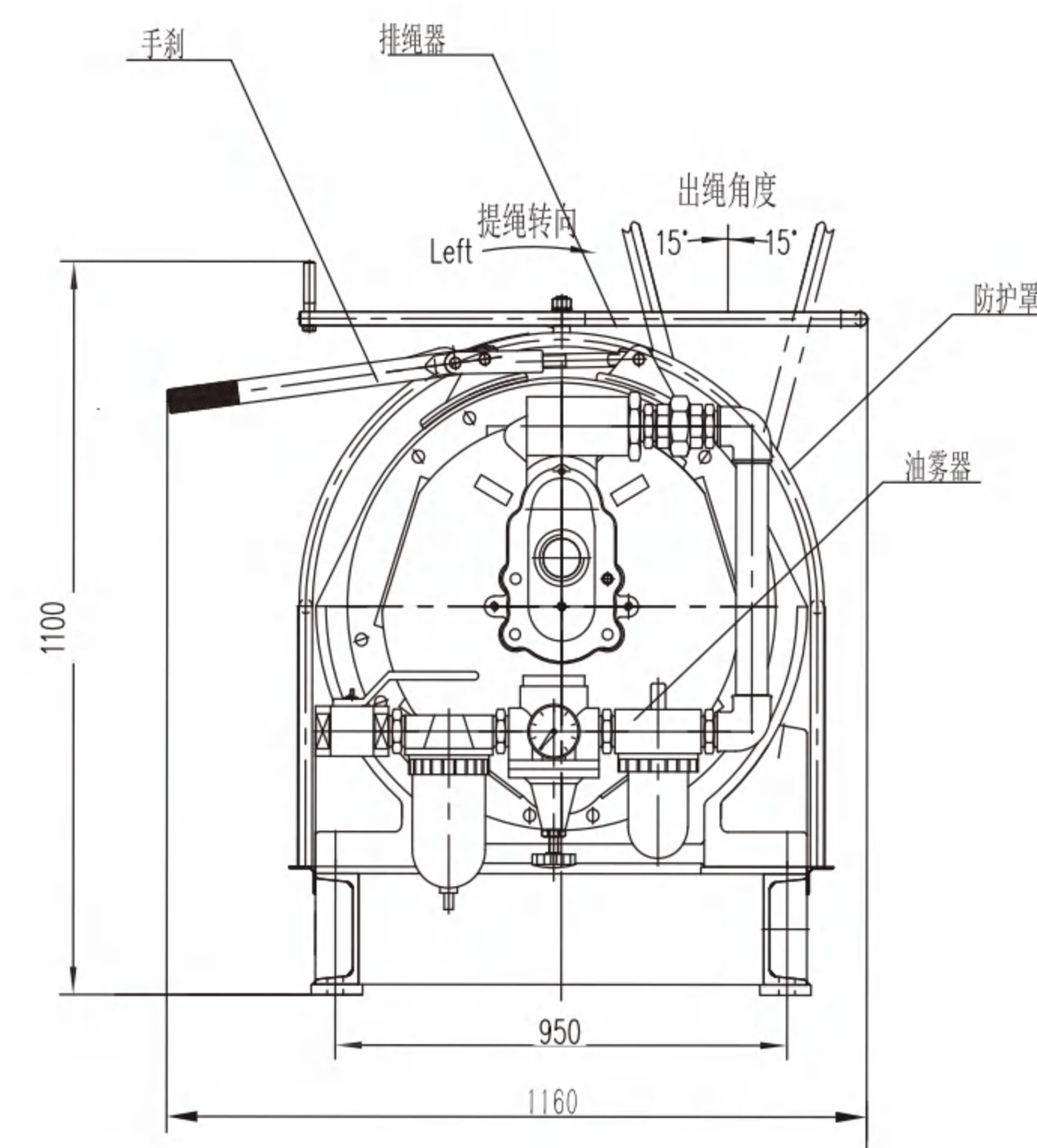
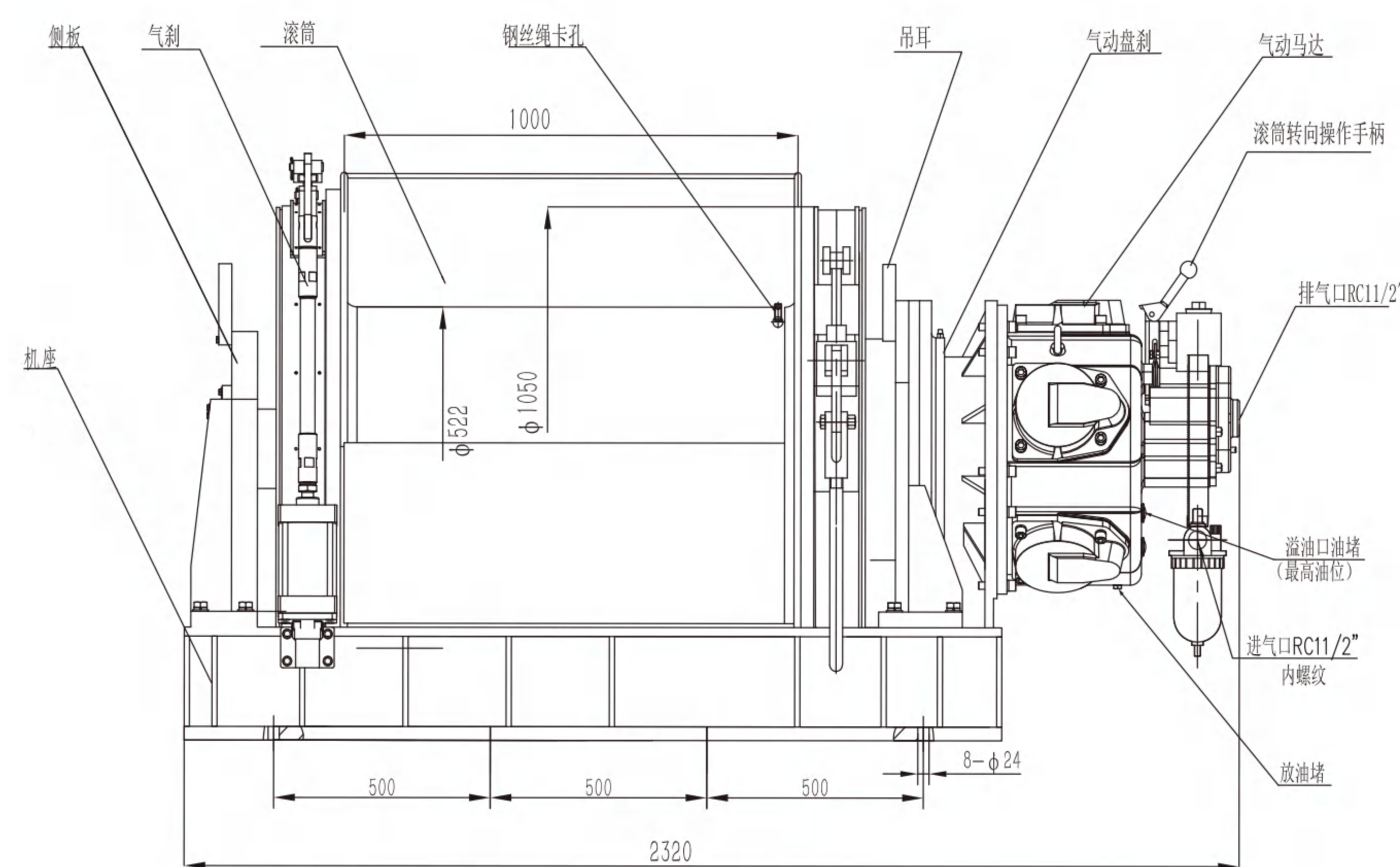
技术特点 TECHNICAL CHARACTERISTICS

以压缩空气为动力，采用手动控制（可选配远程控制方式），活塞式气马达驱动，制动器采用手刹加单气刹，制动力大，刹车灵活，加装了过滤器与油雾器，加装防护罩，表面采用船用防腐油漆。

Powered by compressed air, it adopts manual control (optional with remote control), driven by a piston type air motor. The brake adopts a hand brake and a single air brake, with high braking force and flexible braking. It is equipped with a filter and oil mist eliminator, a protective cover, and a marine anti-corrosion paint surface.



编号NO.	参数 Parameter	QJH50
1	压缩空气压力(MPa) Pressure of compressed air(MPa)	0.7-0.8 (MPa)
2	第一层拉力(kN) Pull force at the 1st layer (kN)	50 (kN)
3	额定速度(m/min) Nominal rated speed (m/min)	0-10
4	气动马达 额定功率(kW) Rated power (kW)	17 (kW)
	Cylinder diameter 气缸数(个) Cylinder number(piece)	5 (piece)
5	滚筒 直径(mm) Diameter (mm)	φ522 (mm)
	Cylinder 宽度(mm) Width (mm)	1000 (mm)
	轮缘直径(mm) rim diameter (mm)	φ1000 (mm)
	容量(m) Wire rope content (m)	1000 (m)
6	耗气量 Air consumption (L/s)	245(L/s)
7	钢丝绳直径(mm) Wire rope diameter (mm)	19 (mm)
8	外型尺寸 长(mm) Length (mm)	2320 (mm)
	Configuration 宽(mm) Width (mm)	1160 (mm)
	Dimension 高(mm) Height (mm)	1100 (mm)
9	刹车形式 Braking form	手刹+气刹
10	进气管尺寸(inch) Intake pipe size	1 1/2
11	总重量(Kg) Weight(Kg) (不含钢丝绳) Excluding steel wire rope	1600 (Kg)



8T/17600lbs气动绞车

8T/17600lbs pneumatic winch

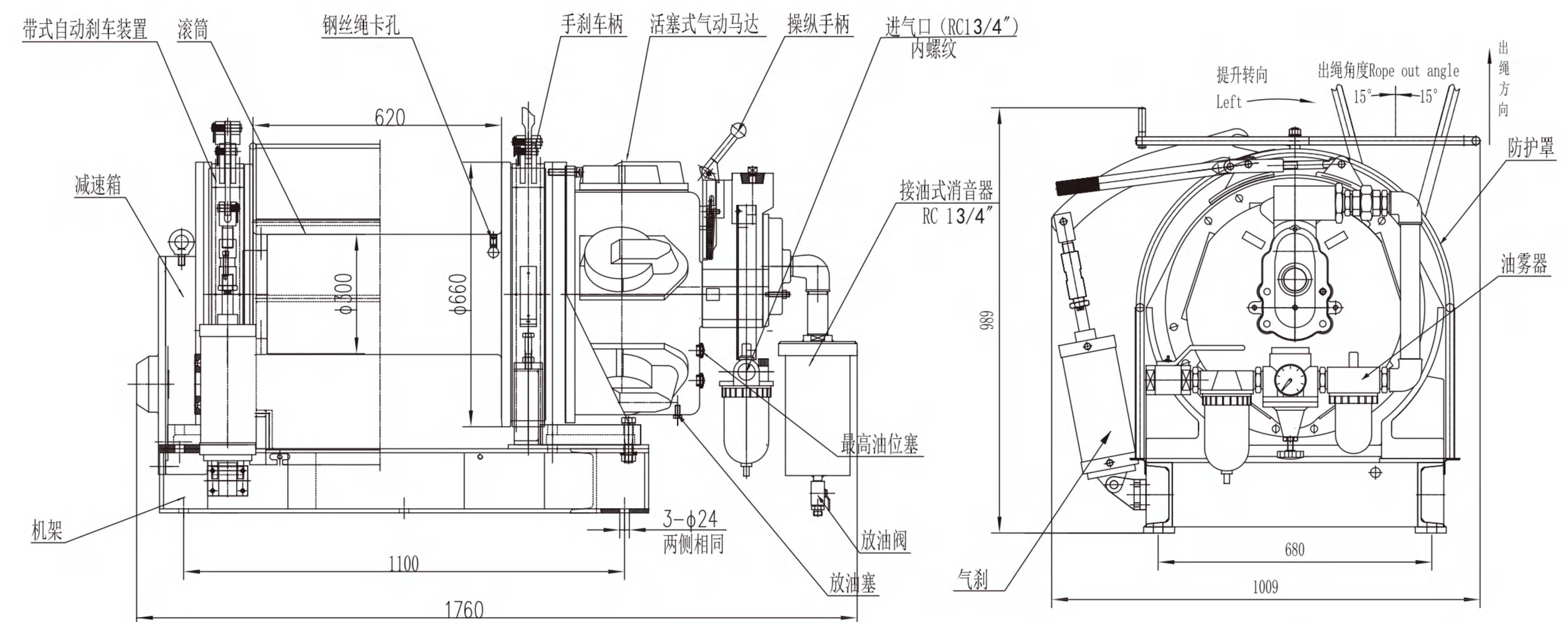
技术特点 TECHNICAL CHARACTERISTICS

以压缩空气为动力，采用手动控制（可选配远程控制方式），活塞式气马达驱动，制动器采用手刹加单气刹，制动力大，刹车灵活，加装了过滤器与油雾器，表面采用船用防腐油漆。

Powered by compressed air, it adopts manual control (optional with remote control), and is driven by a piston type air motor. The brake adopts a hand brake and a single air brake, with high braking force and flexible braking. It is equipped with a filter and oil mist eliminator, and the surface is coated with marine anti-corrosion paint.



编号NO.	参数 Parameter	QJH80
1	压缩空气压力(MPa) Pressure of compressed air(MPa)	0.7-0.8 (MPa)
2	第一层拉力(kN) Pull force at the 1st layer (kN)	80 (kN)
3	额定速度(m/min) Nominal rated speed (m/min)	0-5 (m/min)
4	气动马达 额定功率(kW) Rated power (kW)	30 (kW)
	Cylinder diameter 气缸数(个) Cylinder number(piece)	5 (piece)
5	滚筒 直径(mm) Diameter (mm)	φ300 (mm)
	Cylinder 宽度(mm) Width (mm)	620 (mm)
	轮缘直径(mm) rim diameter (mm)	φ660 (mm)
	容量(m) Wire rope content (m)	200 (m)
6	耗气量 Air consumption (L/s)	400(L/s)
7	钢丝绳直径(mm) Wire rope diameter (mm)	24 (mm)
8	外型尺寸 长(mm) Length (mm)	1760 (mm)
	Configuration 宽(mm) Width (mm)	1009 (mm)
	Dimension 高(mm) Height (mm)	989 (mm)
9	刹车形式 Braking form	气刹+手刹
10	进气管尺寸(inch) Intake pipe size	1 3/4
11	总重量(Kg) Weight(Kg) (不含钢丝绳) Excluding steel wire rope	1380 (Kg)



10T/22000lbs气动绞车

10T/22000lbs pneumatic winch

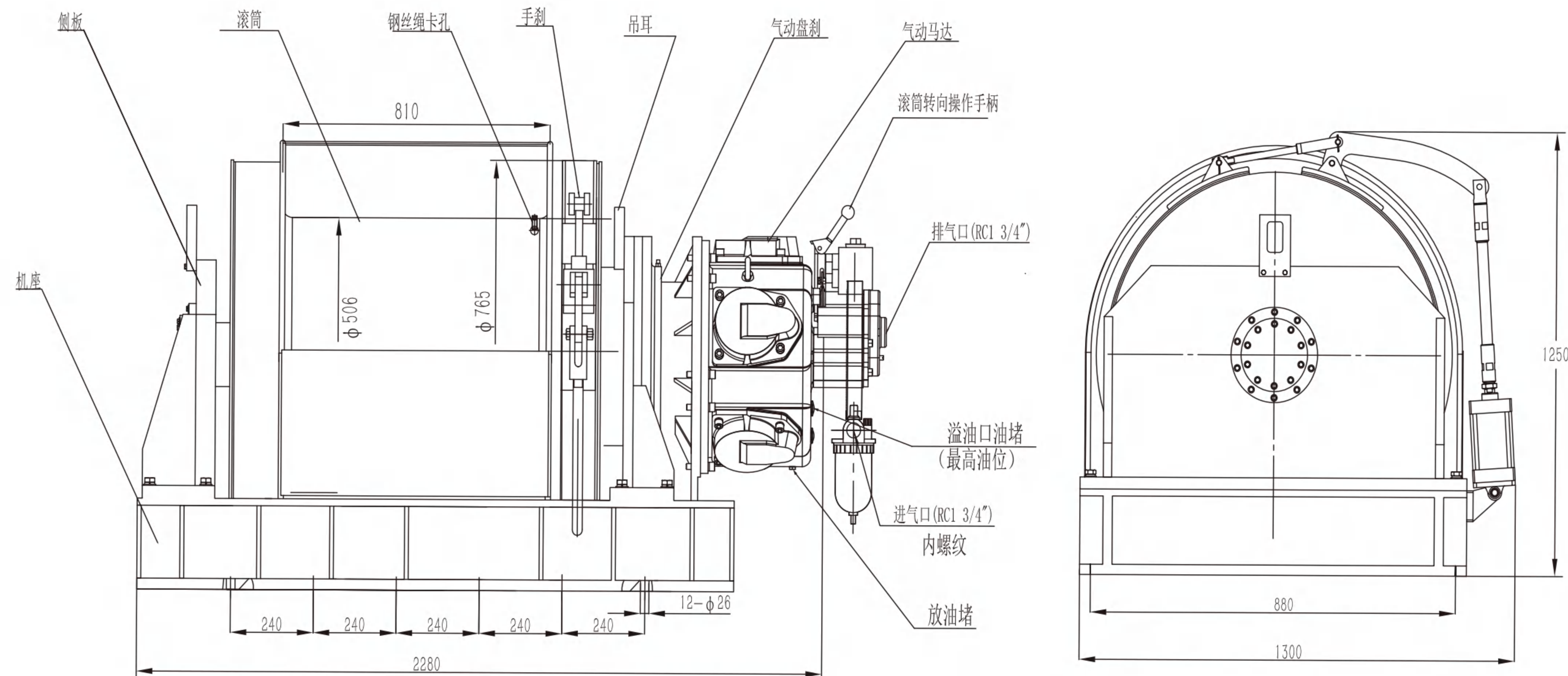
技术特点 TECHNICAL CHARACTERISTICS

以压缩空气为动力，采用手动控制（可选配远程控制方式），活塞式气马达驱动，制动器采用自动盘刹加手刹，制动力大，灵活制动，加装了过滤器与油雾器，防护罩采用不锈钢304材质制作，表面采用船用防腐油漆。

Powered by compressed air, it adopts manual control (optional with remote control), and is driven by a piston type air motor. The brake adopts automatic disc brake and handbrake, with high braking force and flexible braking. It is equipped with a filter and oil mist filter, and the protective cover is made of stainless steel 304 material, with a surface made of marine anti-corrosion paint.



编号NO.	参数 Parameter		QJH100
1	压缩空气压力(MPa)	Pressure of compressed air(MPa)	0.7-0.8 (MPa)
2	第一层拉力(kN)	Pull force at the 1st layer (kN)	130 (kN)
3	额定速度 (m/mim)	Nominal rated speed (m/mim)	0-6 (m/mim)
4	气动马达	额定功率(kW)	Rated power (kW) 30 (kW)
	Cylinder diameter	气缸数(个)	Cylinder number(piece) 5 (piece)
5	滚筒 Cylinder	直径(mm)	Diameter (mm) φ506 (mm)
		宽度(mm)	Width (mm) 810 (mm)
		轮缘直径(mm)	rim diameter (mm) φ765 (mm)
		容绳量(m)	Wire rope content (m) 350 (m)
6	耗气量	Air consumption (L/s)	400(L/s)
7	钢丝绳直径(mm)	Wire rope diameter (mm)	24 (mm)
	外型尺寸	长(mm)	Length (mm) 2280 (mm)
8	Configuration	宽(mm)	Width (mm) 1300 (mm)
		Dimension	高(mm)
9	刹车形式	Braking form	盘刹+手刹
10	进气管尺寸(inch)	Intake pipe size	1 3/4
11	总重量(Kg)	Weight(Kg) (不含钢丝绳) Excluding steel wire rope	1860 (Kg)



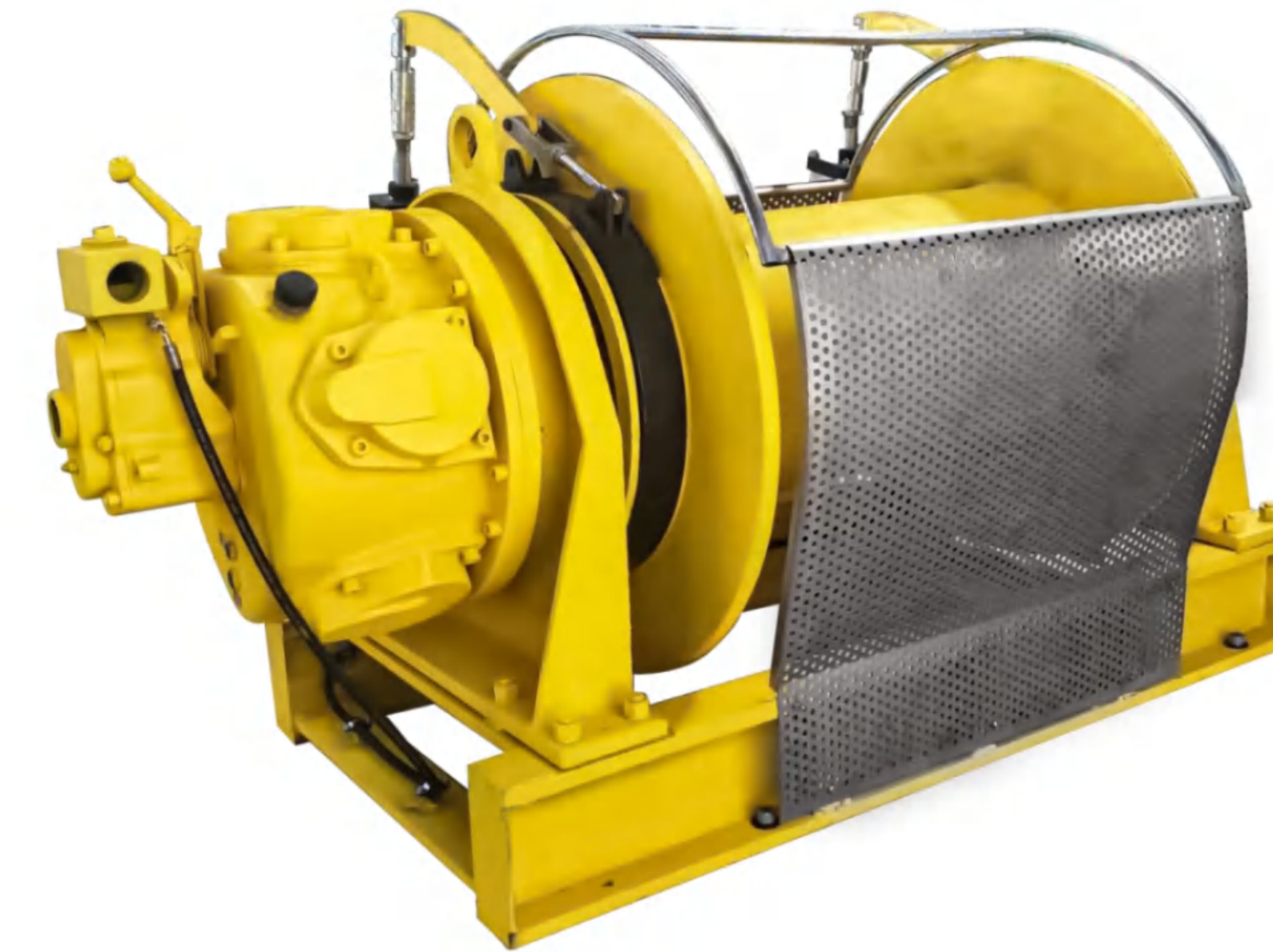
10T/22000lbs气动绞车

10T/22000lbs pneumatic winch

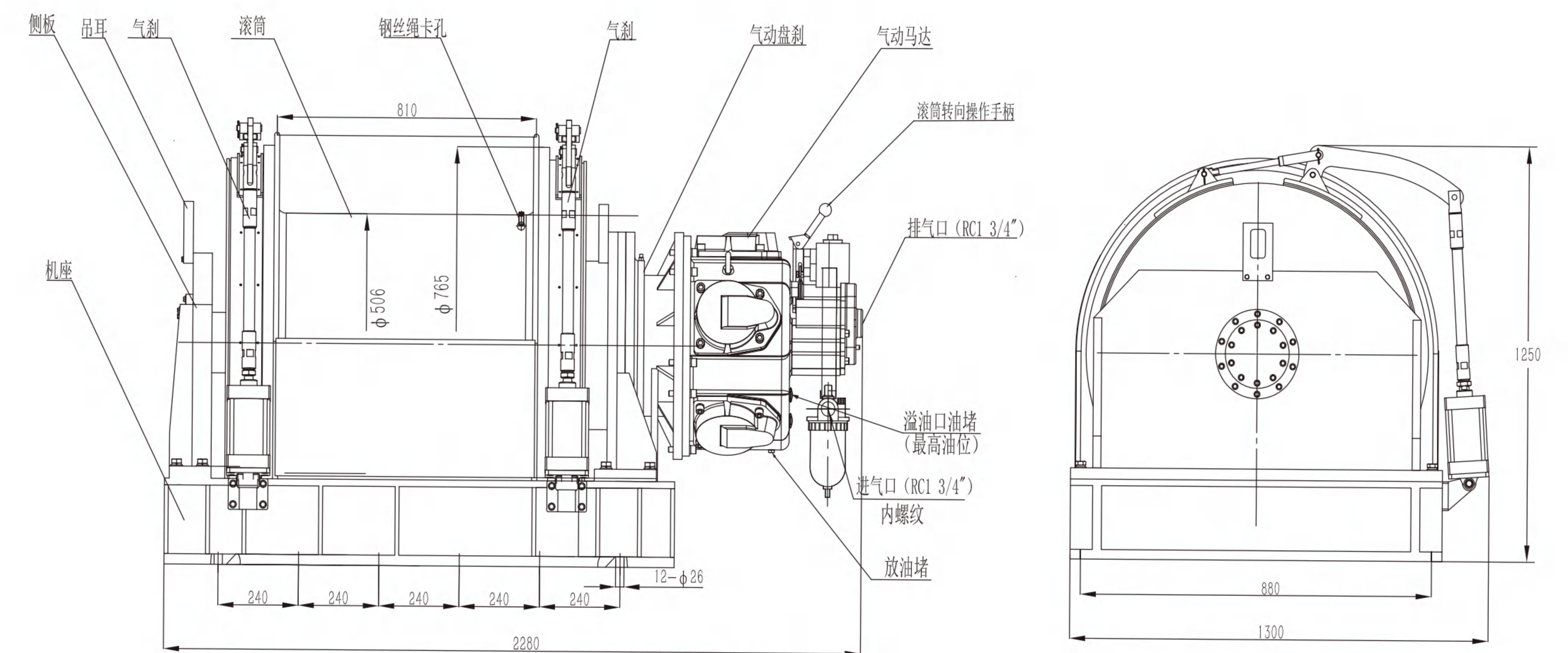
技术特点 TECHNICAL CHARACTERISTICS

以压缩空气为动力，采用手动控制（可选配远程控制方式），活塞式气马达驱动，制动采用双手刹，制动力大，刹车灵活，加装了油雾器，加装防护罩，表面采用船用防腐油漆。

Powered by compressed air, using manual control (optional with remote control), driven by a piston type air motor. The brake adopts a dual hand brake with high braking force and flexible braking. It is equipped with an oil mist filter and a protective cover, and the surface is coated with marine anti-corrosion paint.



编号NO.	参数 Parameter		QJH100
1	压缩空气压力(MPa)	Pressure of compressed air(MPa)	0.7-0.8 (MPa)
2	第一层拉力(kN)	Pull force at the 1st layer (kN)	130 (kN)
3	额定速度 (m/mim)	Nominal rated speed (m/mim)	0-6 (m/mim)
4	气动马达	额定功率(kW)	Rated power (kW) 30 (kW)
	Cylinder diameter	气缸数(个)	Cylinder number(piece) 5 (piece)
5	滚筒 Cylinder	直径(mm)	Diameter (mm) φ506 (mm)
		宽度(mm)	Width (mm) 810 (mm)
		轮缘直径(mm)	rim diameter (mm) φ765 (mm)
		容绳量(m)	Wire rope content (m) 350 (m)
6	耗气量	Air consumption (L/s)	400(L/s)
7	钢丝绳直径(mm)	Wire rope diameter (mm)	24 (mm)
	外型尺寸	长(mm)	Length (mm) 2280 (mm)
8	Configuration	宽(mm)	Width (mm) 1300 (mm)
		Dimension	高(mm)
9	刹车形式	Braking form	盘刹+双气刹
10	进气管尺寸(inch)	Intake pipe size	1 3/4
11	总重量(Kg)	Weight(Kg) (不含钢丝绳) Excluding steel wire rope	1860 (Kg)



10T/22000lbs气动绞车

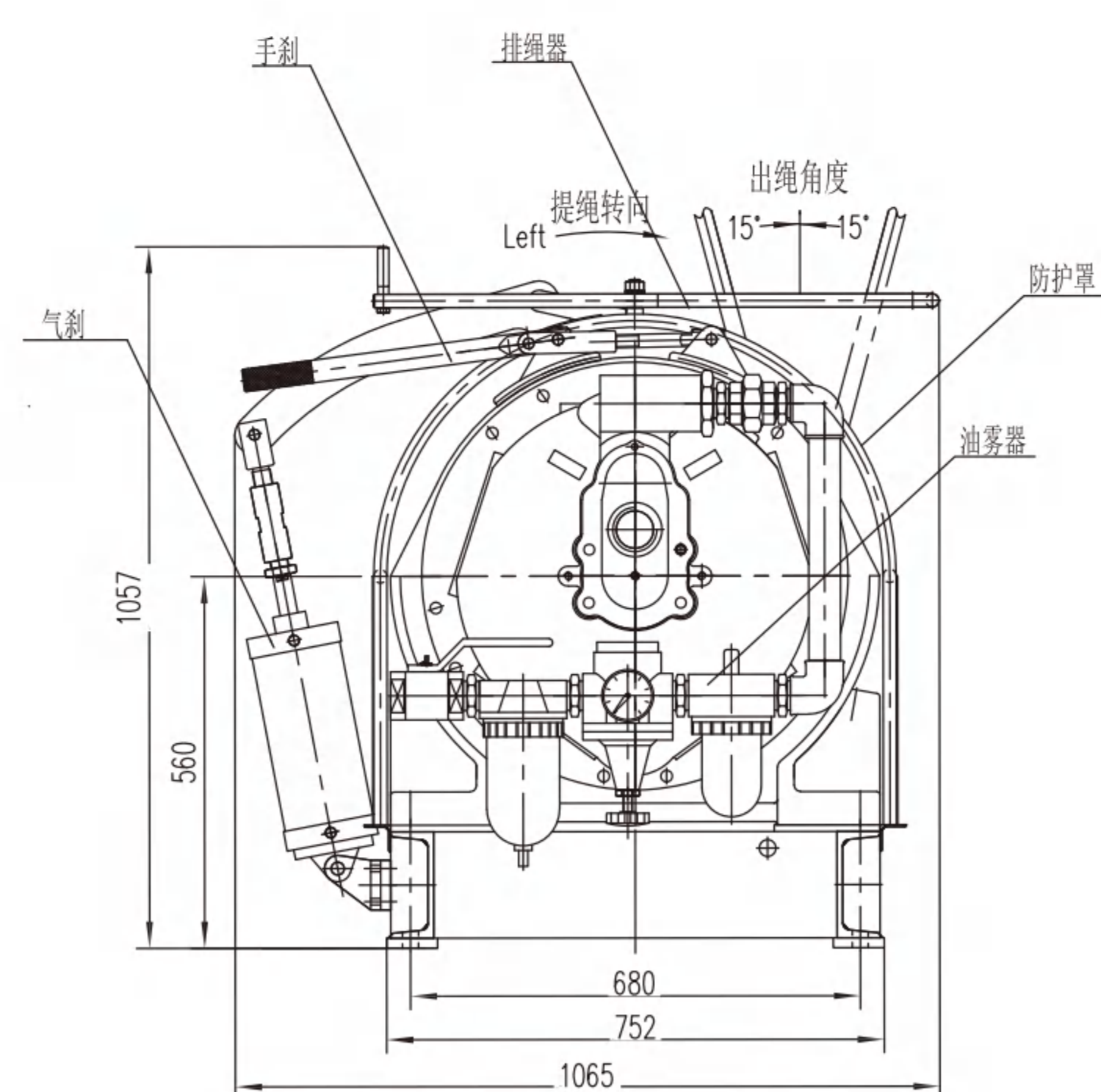
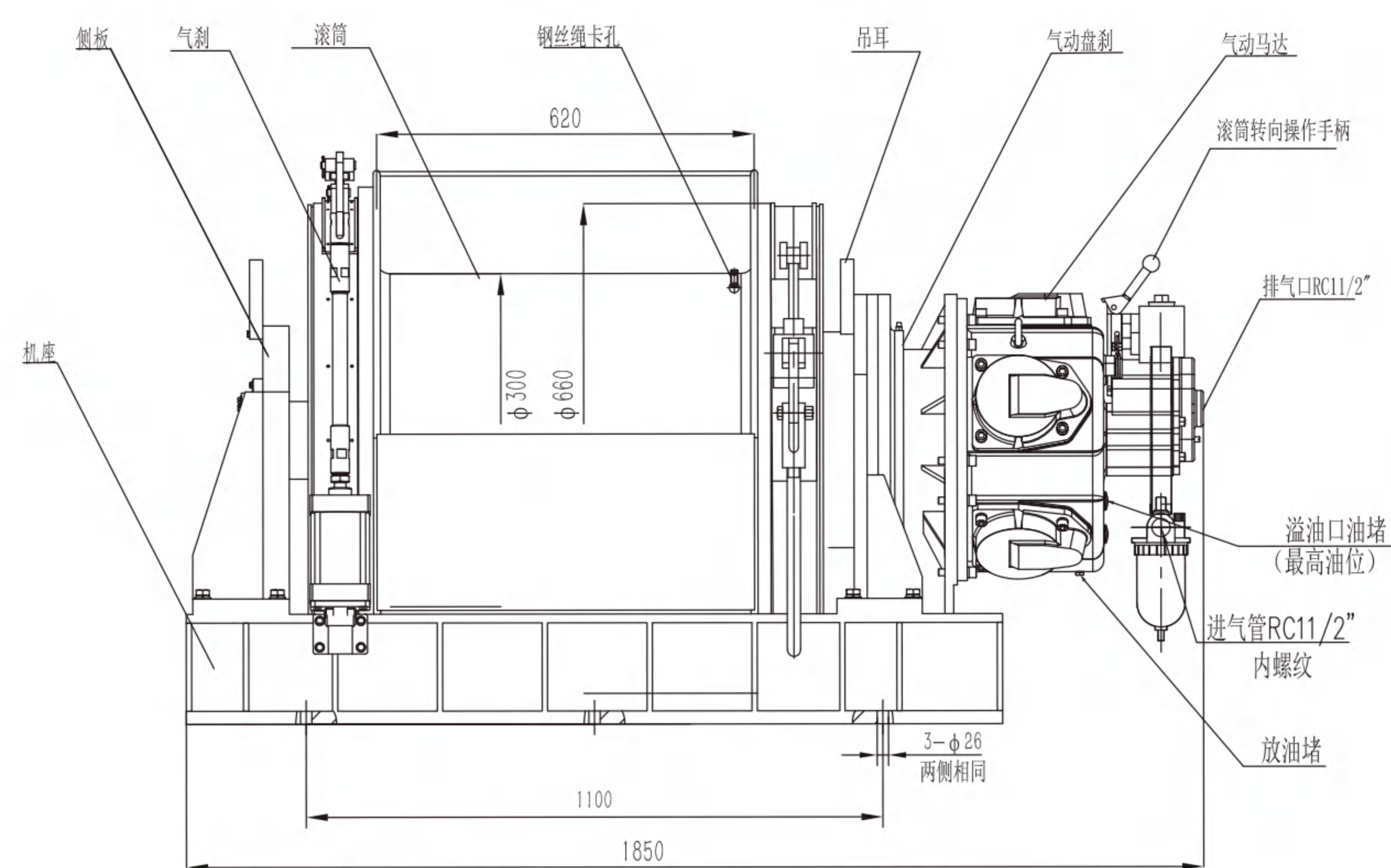
10T/22000lbs pneumatic winch

技术特点 TECHNICAL CHARACTERISTICS

以压缩空气为动力，采用手动控制（可选配远程控制方式），活塞式气马达驱动，制动器采用手刹加单气刹，制动力大，刹车灵活，加装了过滤器与油雾器，表面采用船用防腐油漆。

Powered by compressed air, it adopts manual control (optional with remote control), and is driven by a piston type air motor. The brake adopts a hand brake and a single air brake, with high braking force and flexible braking. It is equipped with a filter and oil mist eliminator, and the surface is coated with marine anti-corrosion paint.

编号NO.	参数 Parameter	QJH100
1	压缩空气压力(MPa) Pressure of compressed air(MPa)	0.7-0.8 (MPa)
2	第一层拉力(kN) Pull force at the 1st layer (kN)	100 (kN)
3	额定速度 (m/mim) Nominal rated speed (m/mim)	0-4 (m/mim)
4	气动马达 额定功率(kW) Rated power (kW)	30 (kW)
	Cylinder diameter 气缸数(个) Cylinder number(piece)	5 (piece)
5	滚筒 直径(mm) Diameter (mm)	φ300 (mm)
	Cylinder 宽度(mm) Width (mm)	620 (mm)
	轮缘直径(mm) rim diameter (mm)	φ660 (mm)
	容绳量(m) Wire rope content (m)	200 (m)
6	耗气量 Air consumption (L/s)	400(L/s)
7	钢丝绳直径 (mm) Wire rope diameter (mm)	28 (mm)
8	外型尺寸 长 (mm) Length (mm)	1850 (mm)
	Configuration 宽 (mm) Width (mm)	1065 (mm)
	Dimension 高 (mm) Height (mm)	1057 (mm)
9	刹车形式 Braking form	盘刹+手刹
10	进气管尺寸 (inch) Intake pipe size	1 3/4
11	总重量(Kg) Weight (Kg) (不含钢丝绳) Excluding steel wire rope	1700 (Kg)



10T/22000lbs气动绞车

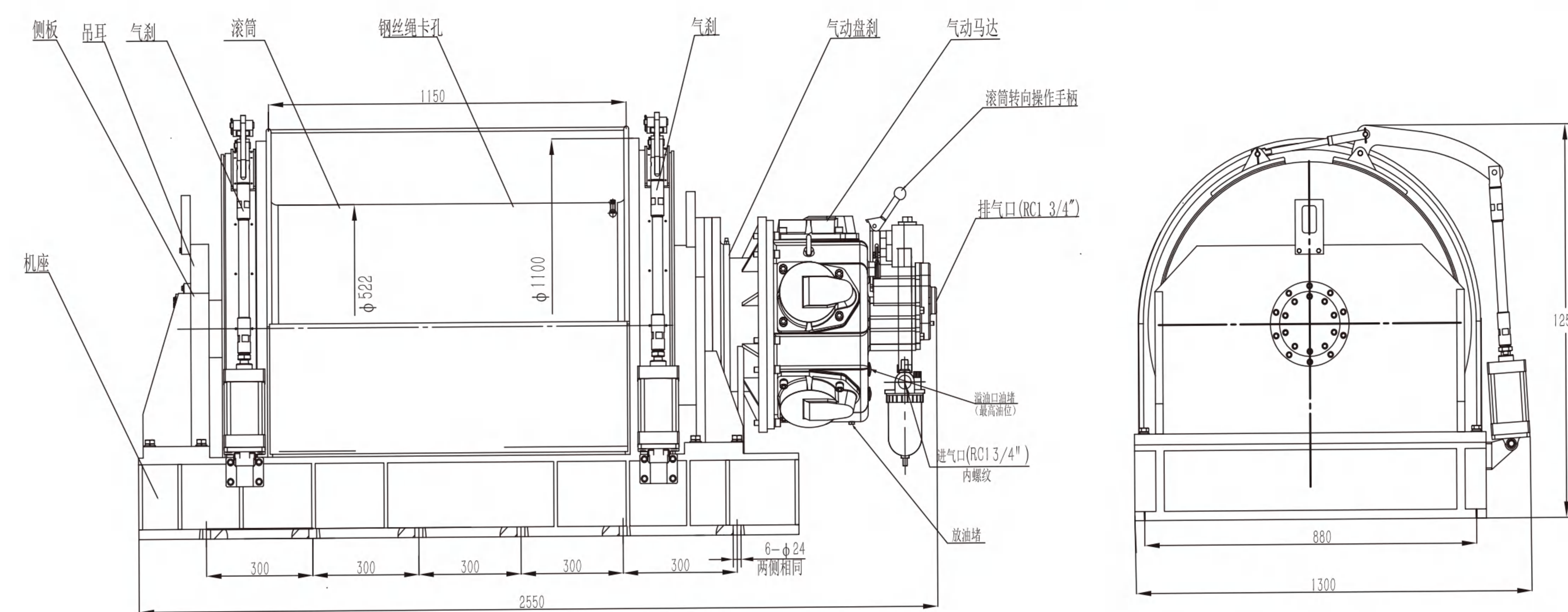
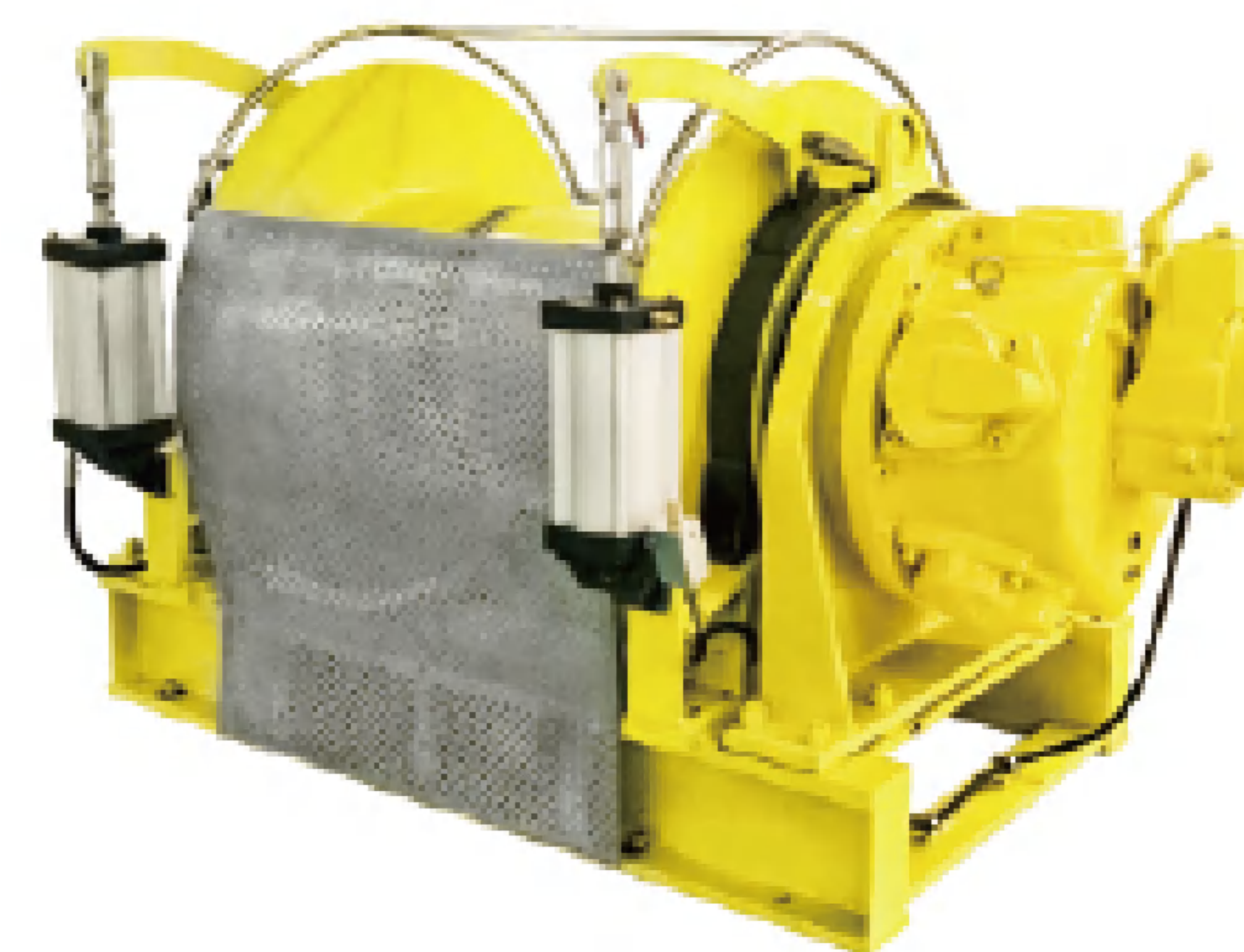
10T/22000lbs pneumatic winch

技术特点 TECHNICAL CHARACTERISTICS

以压缩空气为动力，采用手动控制（可选配远程控制方式），活塞式气马达驱动，制动器采用手刹加单气刹，制动力大，刹车灵活，加装了过滤器与油雾器，表面采用船用防腐油漆。

Powered by compressed air, it adopts manual control (optional with remote control), and is driven by a piston type air motor. The brake adopts a hand brake and a single air brake, with high braking force and flexible braking. It is equipped with a filter and oil mist eliminator, and the surface is coated with marine anti-corrosion paint.

编号NO.	参数 Parameter	QJH100
1	压缩空气压力(MPa) Pressure of compressed air(MPa)	0.7-0.9 (MPa)
2	第一层拉力(kN) Pull force at the 1st layer (kN)	100 (kN)
3	额定速度 (m/mim) Nominal rated speed (m/mim)	0-4 (m/mim)
4	气动马达 额定功率(kW) Rated power (kW)	30 (kW)
	Cylinder diameter 气缸数(个) Cylinder number(piece)	5 (piece)
5	滚筒 直径(mm) Diameter (mm)	φ522 (mm)
	Cylinder 宽度(mm) Width (mm)	115 (mm)
	轮缘直径(mm) rim diameter (mm)	φ1100 (mm)
	容绳量(m) Wire rope content (m)	1000 (m)
6	耗气量 Air consumption (L/s)	400(L/s)
7	钢丝绳直径 (mm) Wire rope diameter (mm)	26 (mm)
8	外型尺寸 长 (mm) Length (mm)	255 (mm)
	Configuration 宽 (mm) Width (mm)	1300 (mm)
	Dimension 高 (mm) Height (mm)	1250 (mm)
9	刹车形式 Braking form	盘刹+气刹
10	进气管尺寸 (inch) Intake pipe size	1 3/4
11	总重量(Kg) Weight (Kg) (不含钢丝绳) Excluding steel wire rope	2300 (Kg)



15T/33000lbs气动绞车

15T/33000lbs pneumatic winch

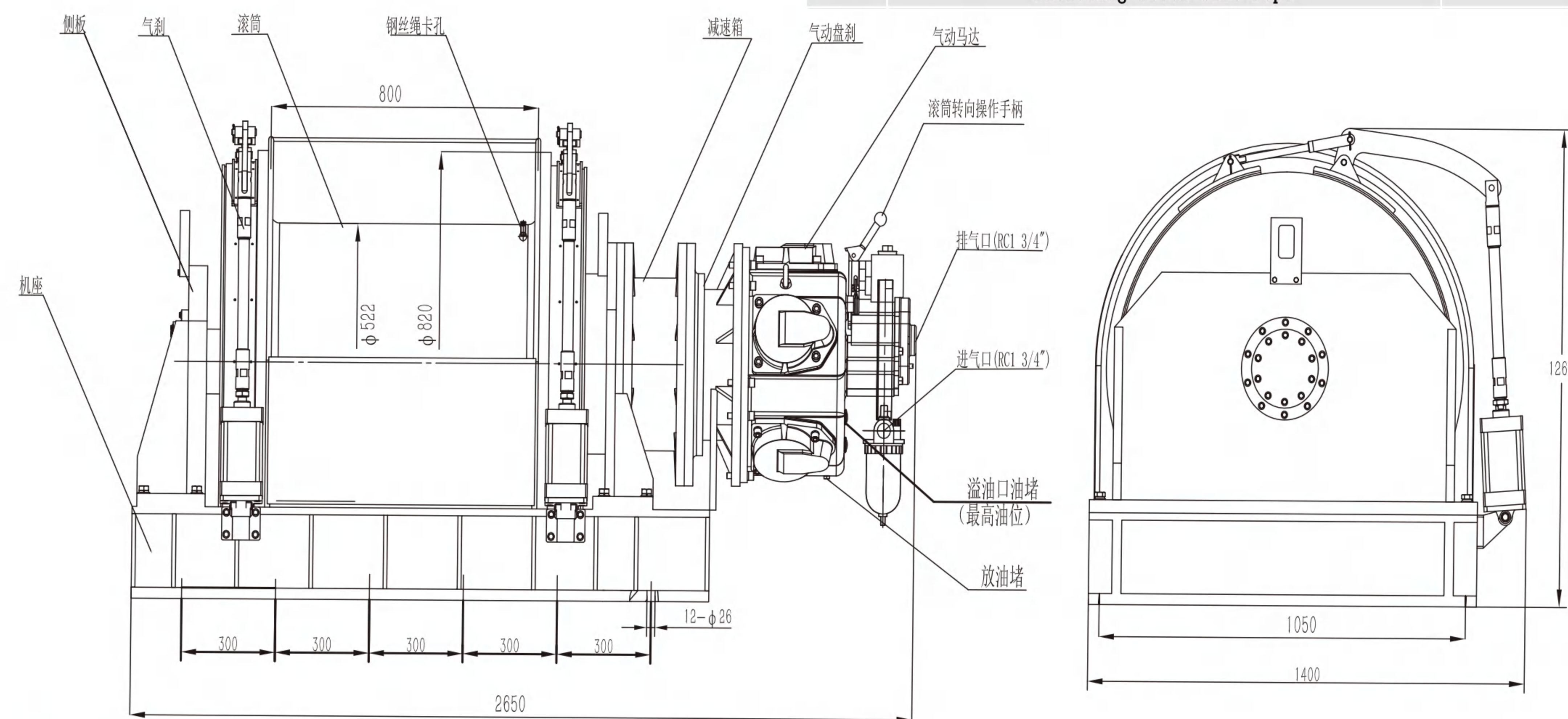
技术特点 TECHNICAL CHARACTERISTICS

以压缩空气为动力，采用手动控制（可选配远程控制方式），活塞式气马达驱动，制动器采用手刹加单气刹，制动力大，刹车灵活，加装了过滤器与油雾器，表面采用船用防腐油漆。

Powered by compressed air, it adopts manual control (optional with remote control), and is driven by a piston type air motor. The brake adopts a hand brake and a single air brake, with high braking force and flexible braking. It is equipped with a filter and oil mist eliminator, and the surface is coated with marine anti-corrosion paint.



编号NO.	参数 Parameter	QJH150
1	压缩空气压力(MPa) Pressure of compressed air(MPa)	0.7-0.9 (MPa)
2	第一层拉力 (kN) Pull force at the 1st layer (kN)	150 (kN)
3	额定速度 (m/mim) Nominal rated speed (m/mim)	0-3.5
4	气动马达 额定功率 (kW) Rated power (kW)	30 (kW)
	Cylinder diameter 气缸数 (个) Cylinder number(piece)	5 (piece)
5	滚筒 直径 (mm) Diameter (mm)	φ522 (mm)
	Cylinder 宽度 (mm) Width (mm)	860 (mm)
	轮缘直径 (mm) rim diameter (mm)	φ820 (mm)
	容绳量 (m) Wire rope content (m)	200 (m)
6	耗气量 Air consumption (L/s)	400(L/s)
7	钢绳直径 (mm) Wire rope diameter (mm)	28 (mm)
	外型尺寸 长 (mm) Length (mm)	2650 (mm)
8	Configuration 宽 (mm) Width (mm)	1400 (mm)
	Dimnension 高 (mm) Height (mm)	1260 (mm)
9	刹车形式 Braking form	盘刹+气刹
10	进气管尺寸 (inch) Intake pipe size	1 3/4
11	总重量(Kg) Weight(Kg) (不含钢丝绳) Excluding steel wire rope	3900 (Kg)



25T/55000lbs气动绞车

25T/55000lbs pneumatic winch

技术特点 TECHNICAL CHARACTERISTICS

以压缩空气为动力，采用手动控制（可选配远程控制方式），活塞式气马达驱动，配行星减速扭矩大，制动器采用自动盘刹加双气刹，制动力大，稳定，安全性高，加装了过滤器与油雾器，防护罩采用不锈钢304材质制作，表面采用船用防腐油漆。

Powered by compressed air, it adopts manual control (optional remote control), piston type air motor drive, equipped with planetary reduction torque, automatic disc brake and dual air brake, with high braking force, stability, and safety. It is equipped with a filter and oil mist, and the protective cover is made of stainless steel 304 material, with a surface of marine anti-corrosion paint



编号NO.	参数 Parameter	QJH250
1	压缩空气压力(MPa) Pressure of compressed air(MPa)	0.7-1 (MPa)
2	第一层拉力 (kN) Pull force at the 1st layer (kN)	250 (kN)
3	额定速度 (m/mim) Nominal rated speed (m/mim)	0-3 (m/mim)
4	气动马达 额定功率 (kW) Rated power (kW)	30 (kW)
	Cylinder diameter 气缸数 (个) Cylinder number(piece)	5 (piece)
5	滚筒 直径 (mm) Diameter (mm)	φ720 (mm)
	Cylinder 宽度 (mm) Width (mm)	860 (mm)
	轮缘直径 (mm) rim diameter (mm)	φ1150 (mm)
	容绳量 (m) Wire rope content (m)	200 (m)
6	耗气量 Air consumption (L/s)	400(L/s)
7	钢绳直径 (mm) Wire rope diameter (mm)	38 (mm)
	外型尺寸 长 (mm) Length (mm)	2700 (mm)
8	Configuration 宽 (mm) Width (mm)	1500 (mm)
	Dimnension 高 (mm) Height (mm)	1400 (mm)
9	刹车形式 Braking form	盘刹+双气刹
10	进气管尺寸 (inch) Intake pipe size	1 3/4
11	总重量(Kg) Weight(Kg) (不含钢丝绳) Excluding steel wire rope	4100 (Kg)

